



## PHS70-300 PHS80-300

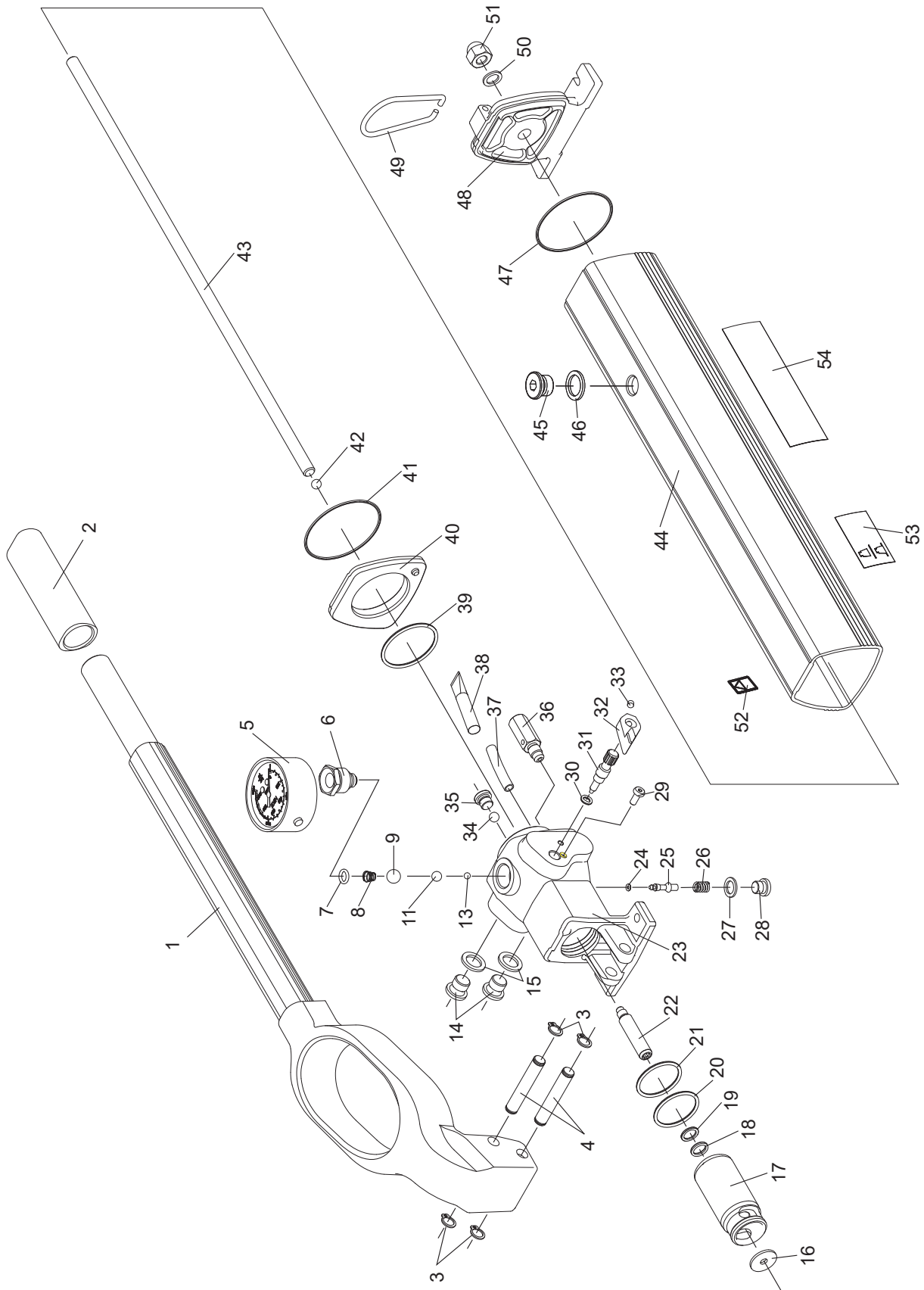
Pos.	QTY	Description	Part No.
1	1	Handle	[ B ]
2	1	Handle grip	443,68 [ B ]
3	4	Track ring	[ A B ]
4	2	Axle	[ B ]
5	1	AMT801 Gauge	444,74
6	1	AAM18 Gauge adapter	443,80
7	1	O-ring	[ A D ]
8	1	Spring	[ A D ]
9	1	Ball	[ A D ]
11	1	Ball	[ A D ]
13	1	Ball	[ A D ]
14	2	Plug	[ A D ]
15	2	Packing	[ A D ]
16	1	Washer	[ A D F ]
17	1	Piston	[ D F ]
18	1	O-ring	[ A D F ]
19	1	Supportring	[ A D F ]
20	1	Wiper	[ A D ]
21	1	O-ring	[ A D ]
22	1	Piston	[ D F ]
23	1	Housing	450,51 [ D ]
24	1	O-ring	[ A D ]
25	1	Piston	[ A D ]
26	1	Spring	[ A D ]
27	1	Packing	[ A D ]
28	1	Plug	[ A D ]
29	1	Screw	[ C D ]
30	1	O-ring	[ A C D ]
31	1	Release screw	[ C D ]
32	1	Knob	[ C D ]
33	1	Screw	[ C D ]
34	1	Ball	[ A D ]
35	1	Plug	[ A D ]
36	1	Safety valve PHS70	443,88
36	1	Safety valve PHS80	443,89
37	1	Intake pipe	[ A D ]
38	1	Strainer	[ A D ]
39	1	O-ring	[ A D ]
40	1	End plate, front	[ E ]
41	1	O-ring	[ A E ]
42	1	Ball	[ A E ]
43	1	Screw	[ E ]
44	1	Oil container	[ E ]
45	1	Plug	[ A E ]
46	1	Packing	[ A E ]
47	1	O-ring	[ A E ]

Pos.	QTY	Description	Part No.
48	1	End plate, rear	[ E ]
49	1	Yoke	443,70
50	1	Packing	[ A E ]
51	1	Nut	[ A E ]
52	1	Label, read manual	[ A E ]
53	1	Label, release function	[ A E ]
54	2	Label, REHOBOT	[ A E ]
54	2	Label, REHOBOT	[ A E ]
		Repair kit	450,50
		Handle assembly -300	450,52
		Release valve assembly	450,54
		Pump unit Cpl.	450,55
		Tank assembly -300	450,56
		Piston kit	450,57

Eskilstuna-2002-04-29/HGn

- [ A ] Included in Repair kit
- [ B ] Included in Handle assembly
- [ C ] Included in release valve assembly
- [ D ] Included in Pump unit Cpl.
- [ E ] Included in Tank assembly
- [ F ] Included in Piston kit

Always use REHOBOT original spare parts



Subject to change without prior notice!

Document number: 65300 Rev.1.1

Eskilstuna 2017-09-19 DF

Pos.	QTY	Description	Part No.
1	1	Handle	[ B ]
2	1	Handle grip	44368 [ B ]
3	4	Track ring	[ A B ]
4	2	Axle	[ B ]
5	1	AMT801 Gauge PHS70/80-1000	444,74
5	1	TX104 Gauge PHS100/150-1000	38831500
5	1	AMT151 Gauge, Ø100 mm PHS150-1000L	45036
6	1	AAM18 Gauge adapter (Not needed for PHS150-1000L)	44380
7	1	O-ring	[ A D ]
8	1	Spring	[ A D ]
9	1	Ball	[ A D ]
11	1	Ball	[ A D ]
13	1	Ball	[ A D ]
14	2	Plug	[ A D ]
15	2	Packing	[ A D ]
16	1	Washer	[ A D F ]
17	1	Piston	[ D F ]
18	1	O-ring	[ A D F ]
19	1	Supportring	[ A D F ]
20	1	Wiper	[ A D ]
21	1	O-ring	[ A D ]
22	1	Piston	[ D F ]
23	1	Housing	45051 [ D ]
24	1	O-ring	[ A D ]
25	1	Piston	[ A D ]
26	1	Spring	[ A D ]
27	1	Packing	[ A D ]
28	1	Plug	[ A D ]
29	1	Screw	[ C D ]
30	1	O-ring	[ A C D ]
31	1	Release screw	[ C D ]
32	1	Knob	[ C D ]
33	1	Screw	[ C D ]
34	1	Ball	[ A D ]
35	1	Plug	[ A D ]
36	1	Safety valve PHS70	44388
36	1	Safety valve PHS80	44389
36	1	Safety valve PHS100	44390
36	1	Safety valve PHS150	44391
37	1	Intake pipe	[ A D ]
38	1	Strainer	[ A D ]
39	1	O-ring	[ A D ]
40	1	End plate, front	[ E ]
41	1	O-ring	[ A E ]
42	1	Ball	[ A E ]
43	1	Screw	[ E ]

Pos.	QTY	Description	Part No.
44	1	Oil container	[ E ]
45	1	Plug	[ A E ]
46	1	Packing	[ A E ]
47	1	O-ring	[ A E ]
48	1	End plate, rear	[ E ]
49	1	Yoke	44370
50	1	Packing	[ A E ]
51	1	Nut	[ A E ]
52	1	Label, read manual	[ A E ]
53	1	Label, release function	[ A E ]
54	2	Label, REHOBOT	[ A E ]
		Repair kit	45050
		Handle assembly PHS70/80/100/150-1000	45058
		Handle assembly PHS150-1000L	45592
		Release valve assembly	45054
		Pump unit Cpl. PHS70- , PHS80-	45060
		Pump unit Cpl. PHS100- , PHS150-	45055
		Tank assembly -1000	45061
		Piston kit PHS70-, PHS80-	45062
		Piston kit PHS100-, PHS150-	45057

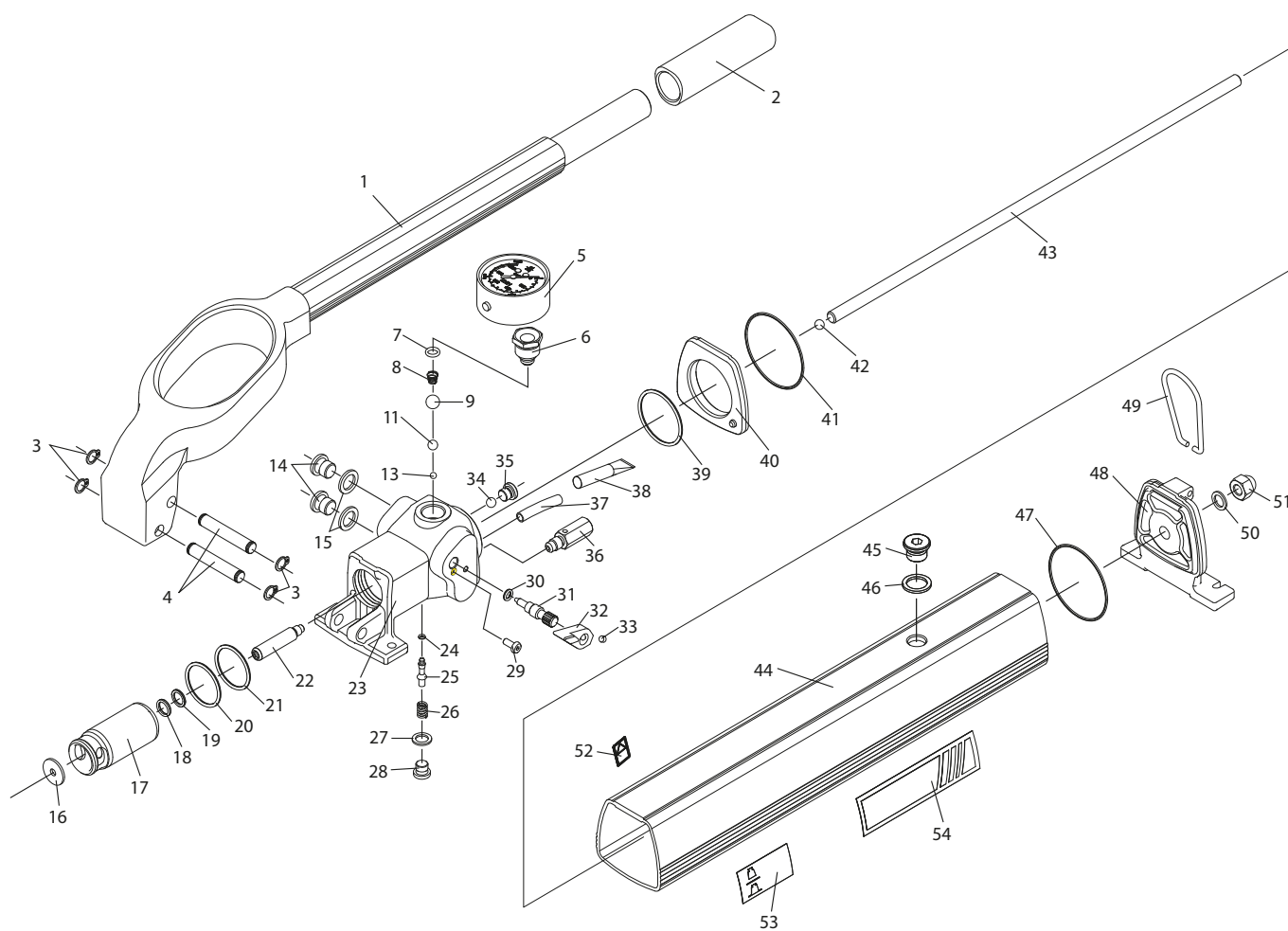
- [ A ] Included in Repair kit
- [ B ] Included in Handle assembly
- [ C ] Included in release valve assembly
- [ D ] Included in Pump unit Cpl.
- [ E ] Included in Tank assembly
- [ F ] Included in Piston kit

**Always use REHOBOT original spare parts**

# REHOBOT®

POWER WITH HYDRAULICS

## PHS70-2400 PHS80-2400 PHS100-2400 PHS150-2400







<b>PHS70-2400 PHS80-2400 PHS100-2400 PHS150-2400</b>
--

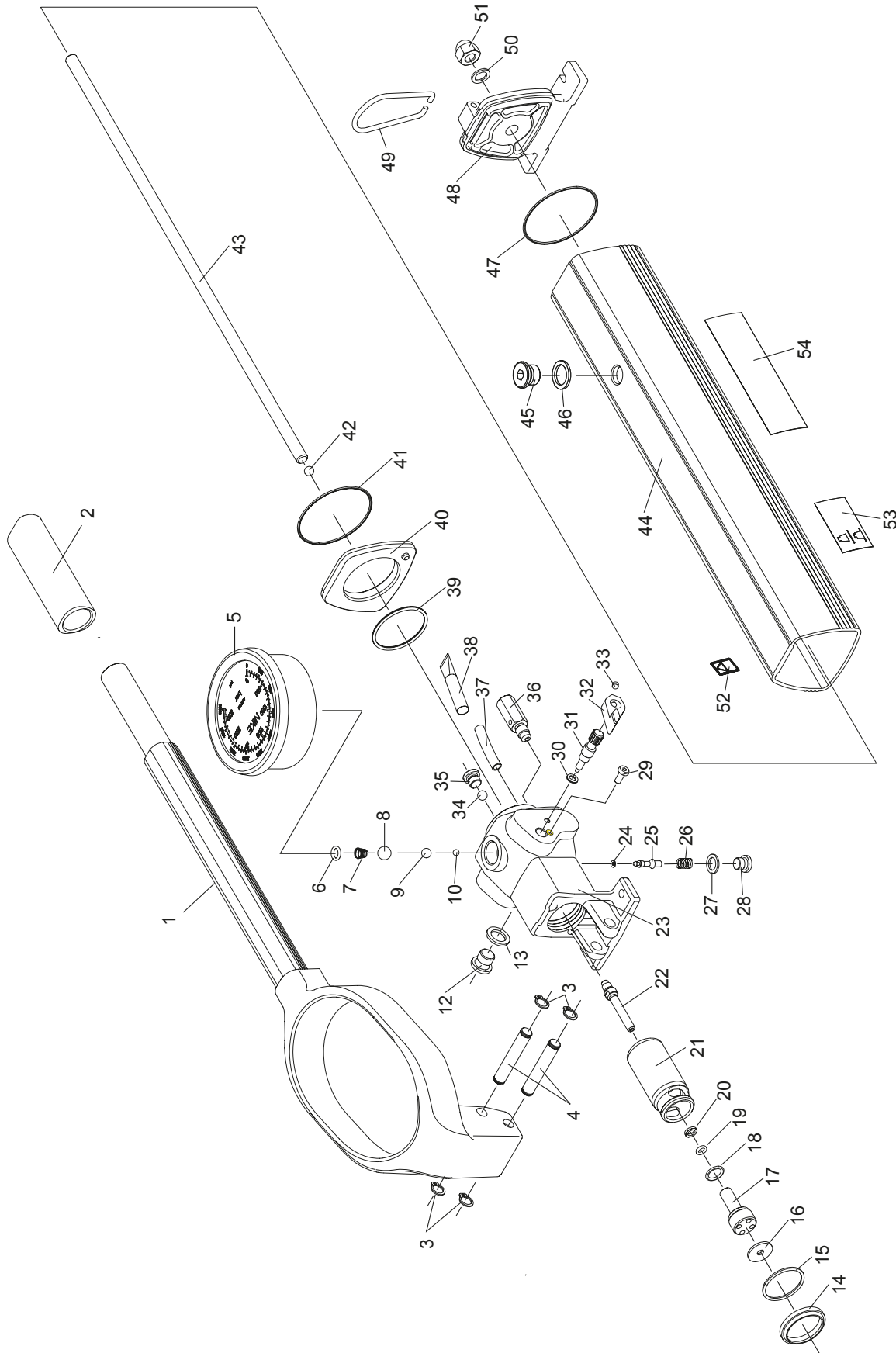
Pos.	QTY	Description	Part No.
1	1	Handle	[ B ]
2	1	Handle grip	443,68 [ B ]
3	4	Track ring	[ A B ]
4	2	Axle	[ B ]
5	1	AMT801 Gauge	444,74
6	1	AAM18 Gauge adapter	443,80
7	1	O-ring	[ A D ]
8	1	Spring	[ A D ]
9	1	Ball	[ A D ]
11	1	Ball	[ A D ]
13	1	Ball	[ A D ]
14	2	Plug	[ A D ]
15	2	Packing	[ A D ]
16	1	Washer	[ A D F ]
17	1	Piston	[ D F ]
18	1	O-ring	[ A D F ]
19	1	Supportring	[ A D F ]
20	1	Wiper	[ A D ]
21	1	O-ring	[ A D ]
22	1	Piston	[ D F ]
23	1	Housing	450,51 [ D ]
24	1	O-ring	[ A D ]
25	1	Piston	[ A D ]
26	1	Spring	[ A D ]
27	1	Packing	[ A D ]
28	1	Plug	[ A D ]
29	1	Screw	[ C D ]
30	1	O-ring	[ A C D ]
31	1	Release screw	[ C D ]
32	1	Knob	[ C D ]
33	1	Screw	[ C D ]
34	1	Ball	[ A D ]
35	1	Plug	[ A D ]
36	1	Safety valve PHS70	443,88
36	1	Safety valve PHS80	443,89
36	1	Safety valve PHS100	443,90
36	1	Safety valve PHS150	443,91
37	1	Intake pipe	[ A D ]
38	1	Strainer	[ A D ]
39	1	O-ring	[ A D ]
40	1	End plate, front	[ E ]
41	1	O-ring	[ A E ]
42	1	Ball	[ A E ]
43	1	Screw	[ E ]
44	1	Oil container	[ E ]

Pos.	QTY	Description	Part No.
45	1	Plug	[ A E ]
46	1	Packing	[ A E ]
47	1	O-ring	[ A E ]
48	1	End plate, rear	[ E ]
49	1	Yoke	443,70
50	1	Packing	[ A E ]
51	1	Nut	[ A E ]
52	1	Label, read manual	[ A E ]
53	1	Label, release function	[ A E ]
54	2	Label, REHOBOT	[ A E ]
		Repair kit	450,50
		Handle assembly	450,58
		Release valve assembly	450,54
		Pump unit Cpl. PHS70- , PHS80-	450,60
		Pump unit Cpl. PHS100- , PHS150-	450,55
		Tank assembly -2400	450,63
		Piston kit PHS70-, PHS80-	450,62
		Piston kit PHS100-, PHS150-	450,57

Eskilstuna-2002-12-26/HGn

- [ A ] Included in Repai kit
- [ B ] Included in Handle assembly
- [ C ] Included in release valve assembly
- [ D ] Included in Pump unit Cpl.
- [ E ] Included in Tank assembly
- [ F ] Included in Piston kit

**Always use REHOBOT original spare parts**



## PHS240-2400L

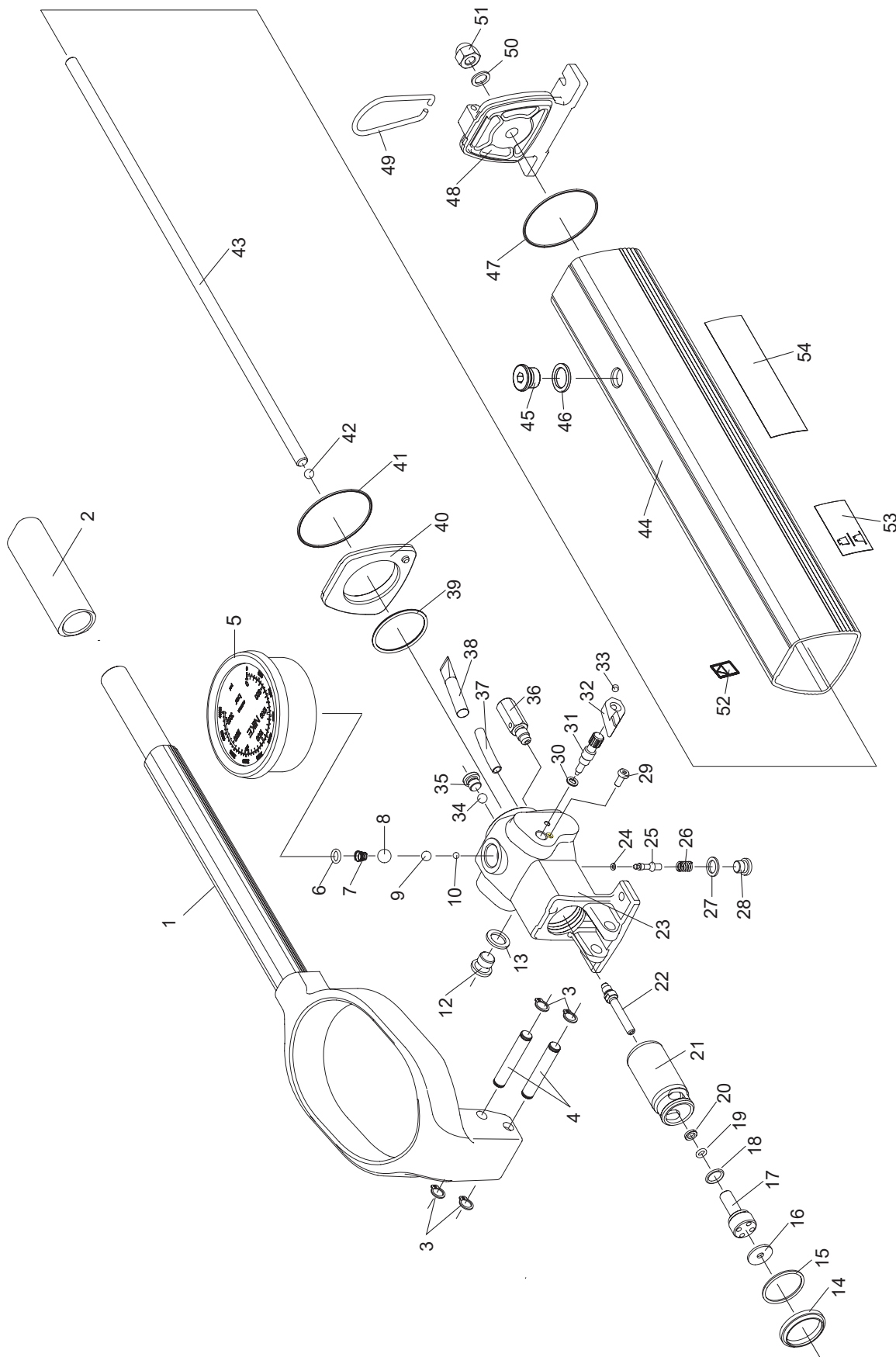
Pos.	QTY	Description	Part No.
1	1	Handle	[ B ]
2	1	Handle grip	44368 [ B ]
3	4	Track ring	[ A B ]
4	2	Axle	[ B ]
5	1	AMT301 Gauge	45037
6	1	O-ring	[ A D ]
7	1	Spring	[ A D ]
8	1	Ball	[ A D ]
9	1	Ball	[ A D ]
10	1	Ball	[ A D ]
12	1	Plug	[ A D ]
13	1	Packing	[ A D ]
14	1	Wiper	[ A D ]
15	1	O-ring	[ A D ]
16	1	Washer	[ A D F ]
17	1	Bushing	[ D F ]
18	1	O-ring	[ A D F ]
19	1	O-ring	[ A D F ]
20	1	Support ring	[ A D F ]
21	1	Piston	[ D F ]
22	1	Piston	[ D F ]
23	1	Housing	45590 [ D ]
24	1	O-ring	[ A D ]
25	1	Piston	[ A D ]
26	1	Spring	[ A D ]
27	1	Packing	[ A D ]
28	1	Plug	[ A D ]
29	1	Screw	[ C D ]
30	1	O-ring	[ A C D ]
31	1	Release screw	[ C D ]
32	1	Knob	[ C D ]
33	1	Screw	[ C D ]
34	1		[ A D ]
35	1	Plug	[ A D ]
36	1	Safety valve Cpl.	45585
37	1	Intake pipe	[ A D ]
38	1	Strainer	[ A D ]
39	1	O-ring	[ A D ]
40	1	End plate, front	[ E ]
41	1	O-ring	[ A E ]
42	1	Ball	[ A E ]
43	1	Screw	[ E ]
44	1	Oil container	[ E ]
45	1	Plug	[ A E ]
46	1	Packing	[ A E ]

Pos.	QTY	Description	Part No.
47	1	O-ring	[ A E]
48	1	End plate, rear	[ E]
49	1	Yoke	44370
50	1	Packing	[ A E]
51	1	Nut	[ A E]
52	1	Label, read manual	[ A E]
53	1	Label, release function	[ A E]
54	2	Label, REHOBOT	[ A E]
		Repai kit	45591
		Handle assembly	45592
		Release valve assembly	45054
		Pump unit Cpl.	45593
		Tank assembly	45063
		Piston kit	45594

Eskilstuna-2003-03-06/HGn

- [ A ] Included in Repai kit
- [ B ] Included in Handle assembly
- [ C ] Included in release valve assembly
- [ D ] Included in Pump unit Cpl.
- [ E ] Included in Tank assembly
- [ F ] Included in Piston kit

Always use REHOBOT original spare parts







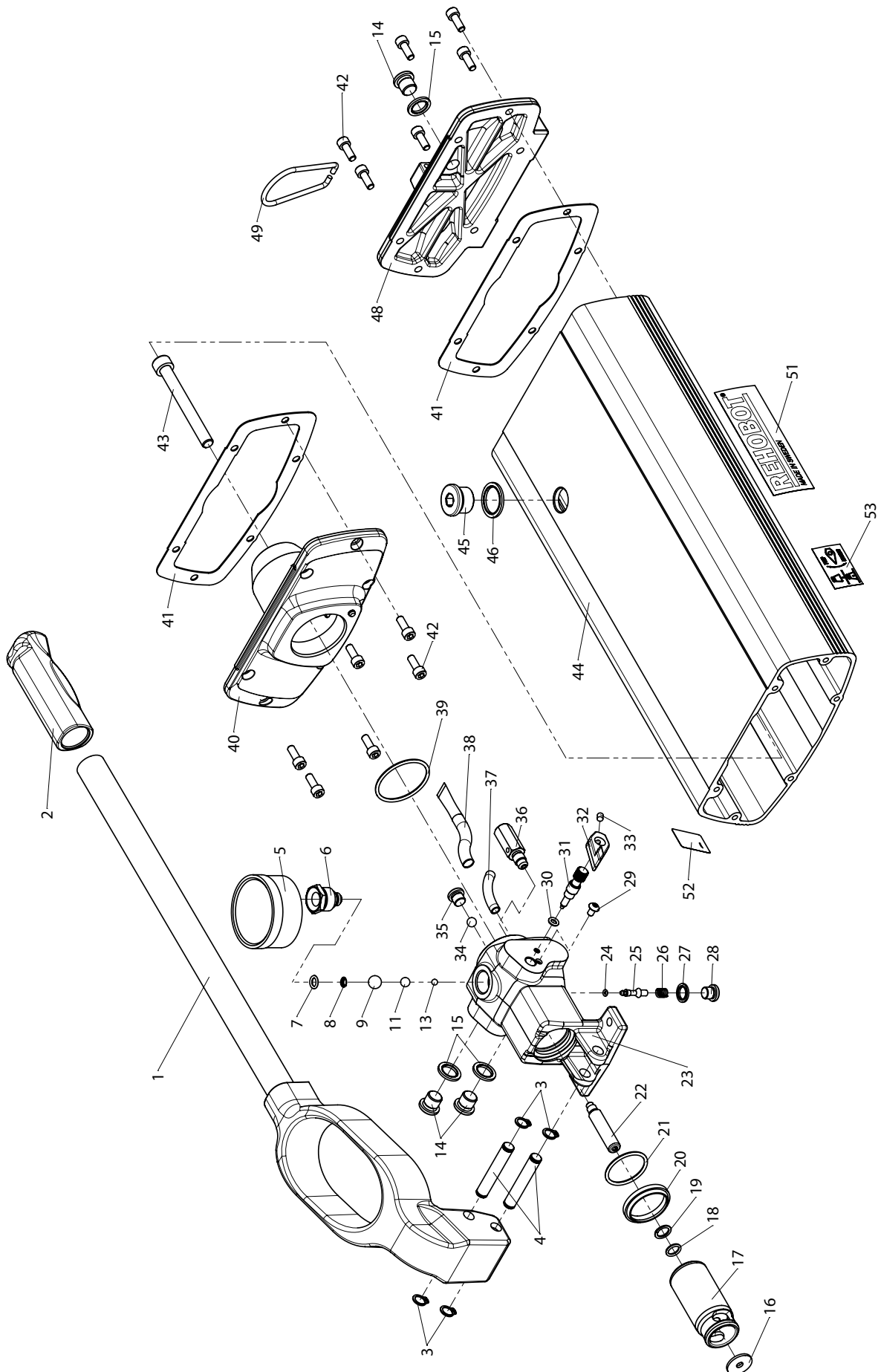
<b>PHS280-2400L</b>
---------------------

Pos.	QTY	Description	Part No.
1	1	Handle	[ B ]
2	1	Handle grip	44368 [ B ]
3	4	Track ring	[ A B ]
4	2	Axle	[ B ]
5	1	AMT301 Gauge	45037
6	1	O-ring	[ A D ]
7	1	Spring	[ A D ]
8	1	Ball	[ A D ]
9	1	Ball	[ A D ]
10	1	Ball	[ A D ]
12	1	Plug	[ A D ]
13	1	Packing	[ A D ]
14	1	Wiper	[ A D ]
15	1	O-ring	[ A D ]
16	1	Washer	[ A D F ]
17	1	Bushing	[ D F ]
18	1	O-ring	[ A D F ]
19	1	O-ring	[ A D F ]
20	1	Support ring	[ A D F ]
21	1	Piston	[ D F ]
22	1	Piston	[ D F ]
23	1	Housing	45590 [ D ]
24	1	O-ring	[ A D ]
25	1	Piston	[ A D ]
26	1	Spring	[ A D ]
27	1	Packing	[ A D ]
28	1	Plug	[ A D ]
29	1	Screw	[ C D ]
30	1	O-ring	[ A C D ]
31	1	Release screw	[ C D ]
32	1	Knob	[ C D ]
33	1	Screw	[ C D ]
34	1	Ball	[ A D ]
35	1	Plug	[ A D ]
36	1	Safety valve Cpl.	44913
37	1	Intake pipe	[ A D ]
38	1	Strainer	[ A D ]
39	1	O-ring	[ A D ]
40	1	End plate, front	[ E ]
41	1	O-ring	[ A E ]
42	1	Ball	[ A E ]
43	1	Screw	[ E ]
44	1	Oil container	[ E ]
45	1	Plug	[ A E ]
46	1	Packing	[ A E ]
47	1	O-ring	[ A E ]
48	1	End plate, rear	[ E ]
49	1	Yoke	44370
50	1	Packing	[ A E ]
51	1	Nut	[ A E ]

Pos.	QTY	Description	Part No.
52	1	Label, read manual	[ A E]
53	1	Label, release function	[ A E]
54	2	Label, REHOBOT	[ A E]
		Repair kit	45591
		Handle assembly	45592
		Release valve assembly	45054
		Pump unit Cpl.	45593
		Tank assembly	45063
		Piston kit	45594

- [A] Included in Repai kit
- [B] Included in Handle assembly
- [C] Included in release valve assembly
- [D] Included in Pump unit Cpl.
- [E] Included in Tank assembly
- [F] Included in Piston kit

PHS70-4100 | PHS80-4100 | PHS100-4100 |  
PHS150-4100



Document number: 65585 Rev.1.1 Subject to change without prior notice!

Eskilstuna 2014-09-29 DF



**PHS70-4100 PHS80-4100 PHS100-4100 PHS150-4100**

<b>Pos.</b>	<b>QTY</b>	<b>Description</b>	<b>Part No.</b>
1	1	Handle	[ B ]
2	1	Handle grip	44368 [ B ]
3	4	Track ring	[ A B ]
4	2	Axle	[ B ]
5	1	AMT801 Gauge PHS70- PHS80-	44474
5	1	TX104 Gauge PHS100-	38831500
6	1	AAM18 Gauge adapter	44380
7	1	O-Ring	[ A D ]
8	1	Spring	[ A D ]
9	1	Ball	[ A D ]
11	1	Ball	[ A D ]
13	1	Ball	[ A D ]
14	3	Plug	[ A D ]
15	3	Packing	[ A D ]
16	1	Washer	[ A D F ]
17	1	Piston	[ D F ]
18	1	O-Ring	[ A D F ]
19	1	Supportring	[ A D F ]
20	1	Wiper	[ A D ]
21	1	O-Ring	[ A D ]
22	1	Piston	[ D F ]
23	1	Housing	45051 [ D ]
24	1	O-Ring	[ A D ]
25	1	Piston	[ A D ]
26	1	Spring	[ A D ]
27	1	Packing	[ A D ]
28	1	Plug	[ A D ]
29	1	Screw	[ C D ]
30	1	O-Ring	[ A C D ]
31	1	Release screw	[ C D ]
32	1	Knob	[ C D ]
33	1	Screw	[ C D ]
34	1	Ball	[ A D ]
35	1	Plug	[ A D ]
36	1	Safety valve PHS70	44388
36	1	Safety valve PHS80	44389
36	1	Safety valve PHS100	44390
36	1	Safety valve PHS150	44391
37	1	Intake pipe	[ A D ]
38	1	Strainer	[ A D ]
39	1	O-Ring	[ A D ]
40	1	End plate, front	[ E ]
41	2	Packing	[ A E ]
42	12	Screw	[ E ]

Pos.	QTY	Description	Part No.
43	1S	crew	[ E ]
44	1O	oil container	[ E ]
45	1P	lug	[ A E ]
46	1P	locking	[ A E ]
48	1E	end plate, rear	[ E ]
49	1Y	lock	44370
51	2L	label, REHOBOT[	A E ]
52	1L	label, read manual[	A E ]
53	1L	label, release function	[ A E ]
		Repair kit	50739
		Handle assembly	45058
		Release valve assembly	45054
		Pump unit Cpl. PHS70- , PHS80-	45060
		Pump unit Cpl. PHS100-, PHS150-	45055
		Tank assembly -4100	50616
		Piston kit PHS70-, PHS80-	45062
		Piston kit PHS100-, PHS150-	45057

- [ A ] Included in Repair kit
- [ B ] Included in Handle assembly
- [ C ] Included in release valve assembly
- [ D ] Included in Pump unit Cpl.
- [ E ] Included in Tank assembly -4100
- [ F ] Included in Piston kit

**Always use REHOBOT original spare parts**