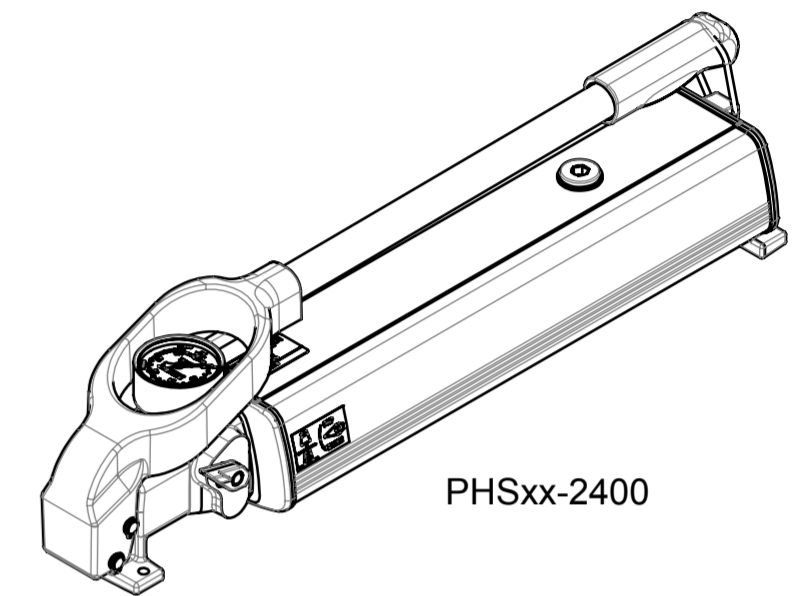
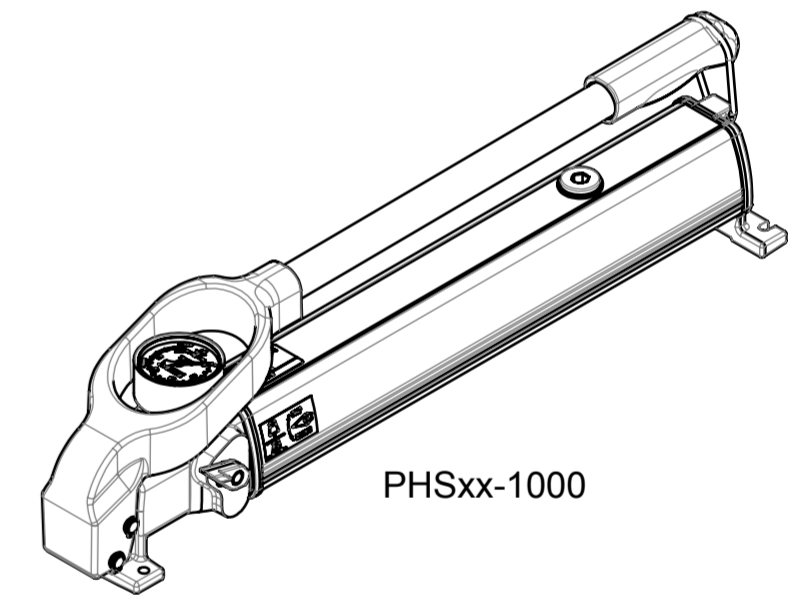


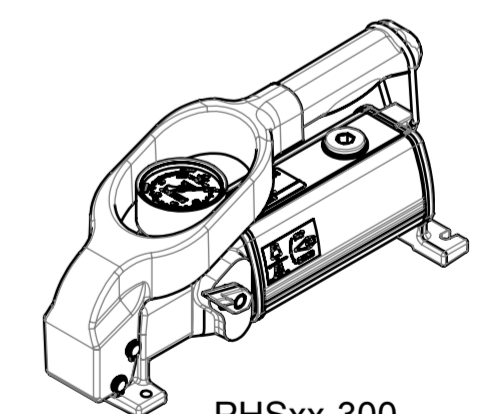
PHSxx-4100



PHSxx-2400

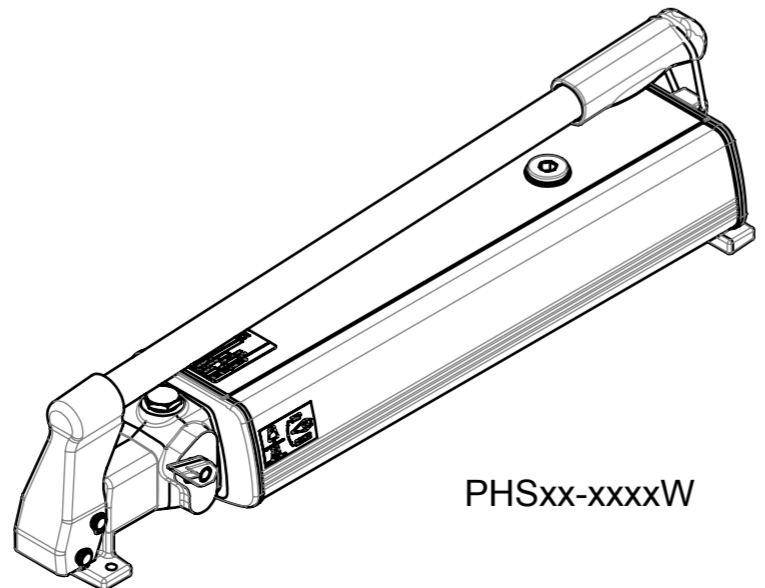


PHSxx-1000

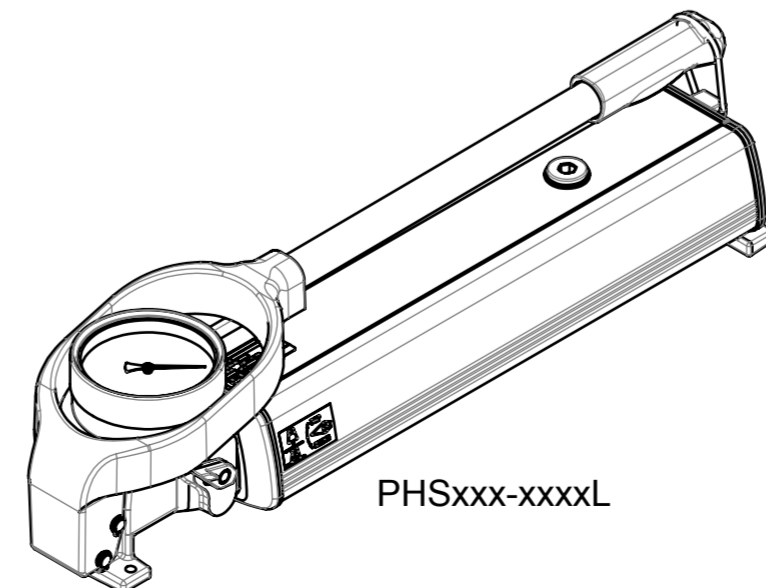


PHSxx-300

Name	Max working pressure MPa	Effective oil capacity cm ³	Capacity low pressure cm ³ /stroke	Capacity high pressure cm ³ /stroke	Pump force @ max working pressure N	Pressure gauge	P Pressure connection	R Return connection	A mm	B mm	C mm	D mm	E mm	F mm	G mm	H mm	J mm	K mm	L Ø mm	Weight kg
PHS70-300	70	300	20	1	350	AMT801	G1/4"	G1/4"	320	170	110	80	75,3	275	68	84	93	14	6,6	6
PHS70-1000	70	1000	20	2	320	AMT801	G1/4"	G1/4"	620	170	110	80	75,3	575	68	84	93	14	6,6	8,1
PHS70-2400	70	2400	20	2	320	AMT801	G1/4"	G1/4"	620	170	110	80	127	575	68	84	93	14	6,6	9,9
PHS70-2400W	70	2400	20	2	320	---	G1/4"	G1/4"	620	170	110	80	127	575	68	84	--	14	6,6	8,7
PHS70-4100	70	4100	20	2	320	AMT801	G1/4"	G1/4"	620	170	140	100	209	575	68	84	93	14	6,6	13,7
PHS80-300	80	300	20	1	400	AMT801	G1/4"	G1/4"	320	170	110	80	75,3	275	68	84	93	14	6,6	6
PHS80-1000	80	1000	20	2	360	AMT801	G1/4"	G1/4"	620	170	110	80	75,3	575	68	84	93	14	6,6	8,1
PHS80-2400	80	2400	20	2	360	AMT801	G1/4"	G1/4"	620	170	110	80	127	575	68	84	93	14	6,6	9,9
PHS80-4100	80	4100	20	2	360	AMT801	G1/4"	G1/4"	620	170	140	100	209	575	68	84	93	14	6,6	13,7
PHS100-300	100	300	20	1	500	TX104	G1/4"	G1/4"	320	170	110	80	75,3	275	68	84	93	14	6,6	6
PHS100-1000	100	1000	20	1	230	TX104	G1/4"	G1/4"	620	170	110	80	75,3	575	68	84	93	14	6,6	8,1
PHS100-2400	100	2400	20	1	230	TX104	G1/4"	G1/4"	620	170	110	80	127	575	68	84	93	14	6,6	9,9
PHS100-4100	100	4100	20	1	230	TX104	G1/4"	G1/4"	620	170	140	100	209	575	68	84	93	14	6,6	13,7
PHS150-1000	150	1000	20	1	370	TX104	G1/4"	G1/4"	620	170	110	80	75,3	575	68	84	93	14	6,6	8,1
PHS150-2400	150	2400	20	1	370	TX104	G1/4"	G1/4"	620	170	110	80	127	575	68	84	93	14	6,6	9,9
PHS150-1000L	150	1000	20	1	370	AMT151	G1/4"	G1/4"	620	170	110	80	75,3	575	68	84	134	---	6,6	8,7
PHS150-2400L	150	2400	20	1	370	AMT151	G1/4"	G1/4"	620	170	110	80	127	575	68	84	134	---	6,6	10,5
PHS200-1000L	200	1000	20	0,7	380	AMT301	9/16-18 UNF	G1/4"	620	170	110	80	75,3	575	68	84	134	---	6,6	8,7
PHS200-2400L	200	2400	20	0,7	380	AMT301	9/16-18 UNF	G1/4"	620	170	110	80	127	575	68	84	134	---	6,6	10,5
PHS240-2400L	240	2400	20	0,7	460	AMT301	9/16-18 UNF	G1/4"	620	170	110	80	127	575	68	84	134	---	6,6	10,5



PHSxx-xxxxW



PHSxxx-xxxxL

DENNA RITNING ÄR REHOBOT AB:s EGENDOM. SKYDDAD ENLIGT GÄLLANDE LAG. THIS DRAWING IS THE PROPERTY OF REHOBOT AB. PROTECTED BY PREVAILING LAW.

Issue	Change	Position	Date	Sign.
11		10		
		9		
		8		
		7		
		6		
		5		
		4		
		3		
		2		
		1		

Material	Blank, dimension	Heat treatment	Surface treatment
Permissible deviations for dimensions without indication of tolerances Machined parts acc.SS-ISO-2768-1		Castings acc.SS-ISO-8062	Fuse welded constr. acc.SS-EN ISO 13920
Designed by CS1	Drawn by CS1	Date 2013-06-12	Product
Prod. appr. 2013-07-01	Design appr. AN1 2013-06-14	Scale 1:2	PHS Hand pumps
REHOBOT			Dimension drawing
			Replaced by
			B-44676