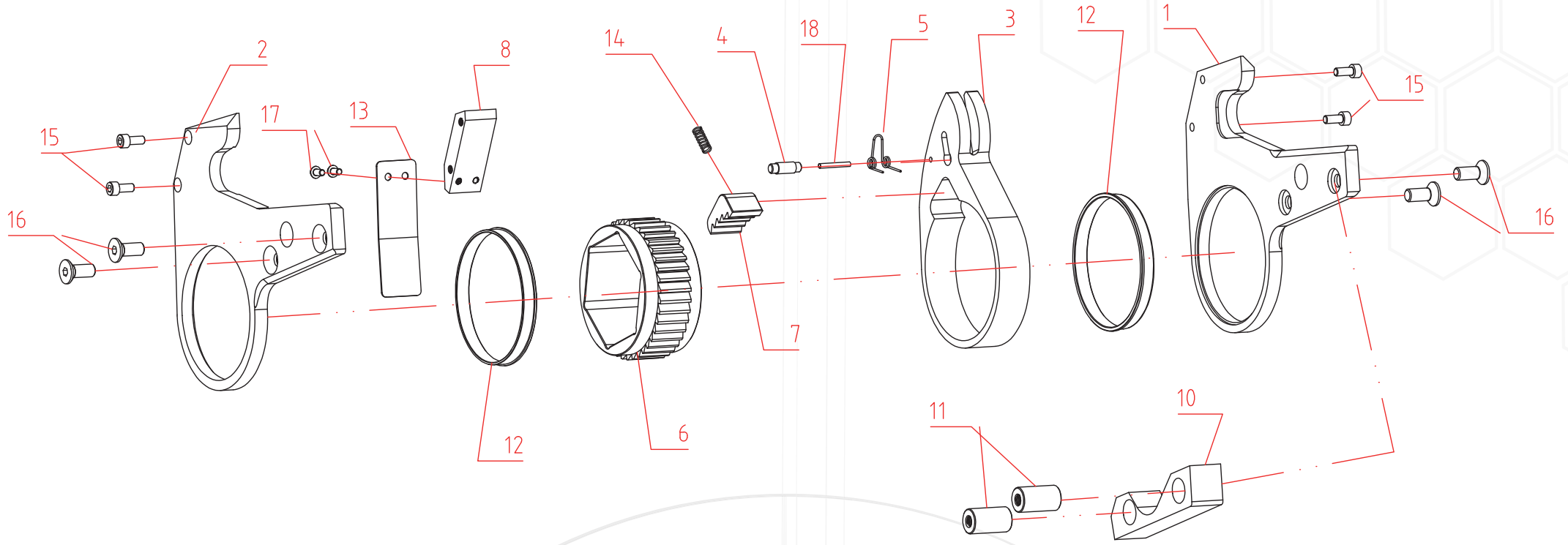


*7,8,9,10,11,17 NUMBERED PARTS INCLUDED IN SEAL KIT.

#	Part No	Description	Qty
1	SPH27P-01	BODY ASSEMBLY	1
2	SPH27P-02	PISTON	1
4	SPH27P-04	SLIDER	2
5	SPH27P-05	SLIDER PIN	1
7	SPH27P-07	* BACKUP RING	2
8	SPH27P-08	* O-RING	2
9	SPH27P-09	* U-RING	1
10	SPH27P-10	* O-RING	2
11	SPH27P-11	* O-RING	2

#	Part No	Description	Qty
12	SPH27P-12	END CAP	1
13	SPH27P-13	FIXUP SCREW	8
15	SPH27P-15	TIGHTENING SCREW	8
16	SPH27P-16	SWIVEL (BACK)	2
17	SPH27P-17	* O-RING	6
18	SPH27P-18	CIRCLE CLIP	2
19	SPH27P-19	SWIVEL (TOP) ASSY	1
20	SPH27P-20	BALL	1
21	SPH27P-21	BALL SEAT	1

#	Part No	Description	Qty
22	SPH27P-22	SPRING	1
23	SPH27P-23	SCREW	1
24	SPH27P-24	1/4" NIPPEL OUTER THREAD	2
25	SPH27P-25	1/4" MALE COUPLER OUTER THREAD	1
25B	SPH27P-25B	1/4" FEMALE COUPLER OUTER THREAD	1
27	SPH27P-27	SCREW WITH SPRING	1
28	SPH27P-28	LINK PIN	1
30	SPH27P-00	SEAL KIT	1



#	Part No	Description	Qty
1	SPH27C-01	RIGHT SIDE PLATE	1
2	SPH27C-02	LEFT SIDE PLATE	1
3	SPH27C-03	DRIVE PLATE	1
4	SPH27C-04	DRIVE PIN	1
5	SPH27C-05	SPRING	1
6	SPH27C-06	HEX RATCHET	1

#	Part No	Description	Qty
7	SPH27C-07	DRIVE SEGMENT	1
8	SPH27C-08	UPPER SPACER	1
10	SPH27C-10	LOWER SPACER	1
11	SPH27C-11	FIX ROTOR	2
12	SPH27C-12	COPPER SLEEVE	1
13	SPH27C-13	SHROUD	1

#	Part No	Description	Qty
14	SPH27C-14	SPRING	1
15	SPH27C-15	SIDE PLATE SCREW	4
16	SPH27C-16	SIDE PLATE SCREW	4
17	SPH27C-17	SCREW FOR SHROUD	2
18	SPH27C-18	PIN	1