

Kasetli Hidrolik Tork Anahtarları

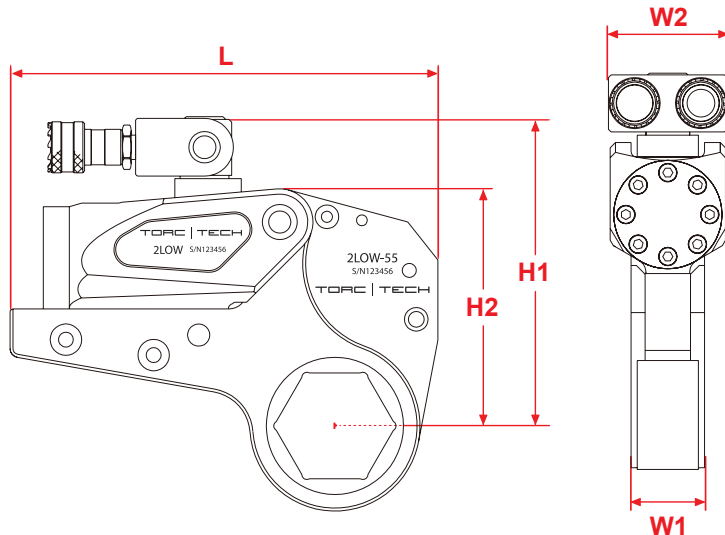
Low Clearance Hydraulic Torque Wrenches



- » $\pm\%3$ hassasiyetle torklama işlemi.
- » 44.500 N.m'ye kadar kapasite seçeneği.
- » 19-175 mm arası altıgen kaset ölçüsü.
- » Sıkma ve sökme işlemleri için uygun tasarım.
- » $360^\circ \times 180^\circ$ çok pozisyonlu dönebilmir yağ giriş portu.
- » Ekstra ince tasarımı ile dar bölgelere uygun.
- » Bütün somun ölçülerine uygun ölçü düşürücü burçlar.
- » Türkiye'de servis ve kalibrasyon desteği.

- » $\pm\%3$ high precision torque operation.
- » Available from 230 to 44.500 N.m.
- » Hexagon cassettes from 19 to 175 mm.
- » Suitable for tightening and loosening process.
- » $360^\circ \times 180^\circ$ rotatable multi-position oil inlet port.
- » Low profile design for limited access applications
- » Various cassettes and adaptors, reducer are available.
- » Repair, maintenance and calibration services.

Parça Part	Tork Gücü (N.m) Torque Range		Anahtar Nut Size	Ağırlık (Kg) Weight (Piston-Casette)		Ölçüler (mm) Dimensions				
	Min.	Max.		mm	Piston	Kaset	L	H1	H2	W1
2 LOW	230	2.320	19 - 55	1	1.6	196.4	125.9	102.3	32	51
	240	2.400	60	1	1.7	196.4	128.5	105	32	51
4 LOW	585	5.850	34 - 65	2	4.4	245	177	135.7	42	66
	645	6.475	70 - 80	2	4.6	246	187	145.7	42	66
8 LOW	1.095	10.940	41 - 95	3.3	8	300	207	169	53	83
	1.175	11.775	100 - 105	3.3	8.4	301	216	178	53	83
14 LOW	1.850	18.500	50 - 117	5.5	11.6	361	239	204	64	99
30 LOW	4.180	41.800	110 - 155	11.4	29	430	303	272	85	131
	4.450	44.500	160 - 175	11.4	30	441	315	285	85	131



LOW Serisi Hidrolik Tork Anahtarı Kasetleri
Low Series Hydraulic Torque Wrench Cassettes



2LOW				4LOW				8LOW				14LOW				30LOW			
No.	R (mm)	A (mm)	H (mm)	No.	R (mm)	A (mm)	H (mm)	No.	R (mm)	A (mm)	H (mm)	No.	R (mm)	A (mm)	H (mm)	No.	R (mm)	A (mm)	H (mm)
2LOW-19	27	16	19	4LOW-34	36	16	34	8LOW-41	46	22	41	14LOW-50	60	31	50	30LOW-85	78	28	85
2LOW-22	27	14	22	4LOW-36	36	15	36	8LOW-46	46	19	46	14LOW-55	60	28	55	30LOW-90	78	27	90
2LOW-27	27	11	27	4LOW-41	39	15	41	8LOW-50	46	17	50	14LOW-60	60	25	60	30LOW-95	83	28	95
2LOW-30	29	12	30	4LOW-46	42	15	46	8LOW-55	50	18	55	14LOW-65	60	22	65	30LOW-100	83	25	100
2LOW-32	29	11	32	4LOW-50	44	15	50	8LOW-60	52	17	60	14LOW-70	60	19	70	30LOW-105	89	28	105
2LOW-34	31	11	34	4LOW-55	46	14	55	8LOW-65	55	17	65	14LOW-75	63	19	75	30LOW-110	89	25	110
2LOW-36	31	10	36	4LOW-60	50	15	60	8LOW-70	58	17	70	14LOW-80	66	19	80	30LOW-115	95	28	115
2LOW-41	34	10	41	4LOW-65	53	15	65	8LOW-75	60	17	75	14LOW-85	69	19	85	30LOW-117	95	27	117
2LOW-46	37	10	46	4LOW-70	56	15	70	8LOW-80	63	16	80	14LOW-90	72	20	90	30LOW-120	95	25	120
2LOW-50	40	11	50	4LOW-75	59	15	75	8LOW-85	66	16	85	14LOW-95	74	19	95	30LOW-125	101	29	125
2LOW-55	43	11	55	4LOW-80	61	15	80	8LOW-90	69	7	90	14LOW-100	77	19	100	30LOW-130	101	26	130
2LOW-60	46	11	60					8LOW-95	71	16	95	14LOW-105	80	19	105	30LOW-135	104	26	135
								8LOW-100	75	17	100	14LOW-110	83	19	110	30LOW-140	110	29	140
								8LOW-105	78	17	105	14LOW-115	87	20	115	30LOW-145	110	26	145
												14LOW-117	87	19	117	30LOW-150	116	29	150
																30LOW-155	116	26	155
																30LOW-160	128	36	160
																30LOW-165	128	33	165
																30LOW-170	128	30	170
																30LOW-175	128	27	175

