

**ALUMINIUM SINGLE ACTING CYLINDERS, LOCK NUT, LOAD RETURN**



**LARZEP advantages**

- Capacity from 30 to 200 Tn, stroke up to 300 mm.
- Load return. Lock nut tested under 50% overload.
- Made out of high strength aluminium alloy.
- All aluminium parts are treated to improve resistance and extend working life.
- Hydraulic end of stroke overflow port. Red band warning. Mechanical end of stroke in SATM models.
- Used for foundation supporting, bridge construction, buildings and shipbuilding.
- Lightweight. Over 40% weight reduction when compared with steel equivalent.
- Fitted with steel base plate and saddle for wear resistance.
- The lock nut holds the load mechanically for long periods of time.
- Not suitable for high cycle applications



Flow Control Valves.

Page. 110



Fittings and Manifolds.

Page. 114



ALUM. S/A LOCK NUT CYL.



**SAT**

30-200 Tn.

700 bar

CYLINDERS

Larzep designs and manufactures special cylinders and fixing systems, upon request.



Aluminium Single Acting, Spring Return Cylinders, with Lock Nut and Stop Ring, SATM.

Page. 42



Single Acting Lock Nut Cylinders, Load Return, STR.

Page. 32

Carefully read and understand the safety instructions.



Aluminium Double Acting Cylinders, DDA.

Page. 60



Powerpacks.

Page. 88

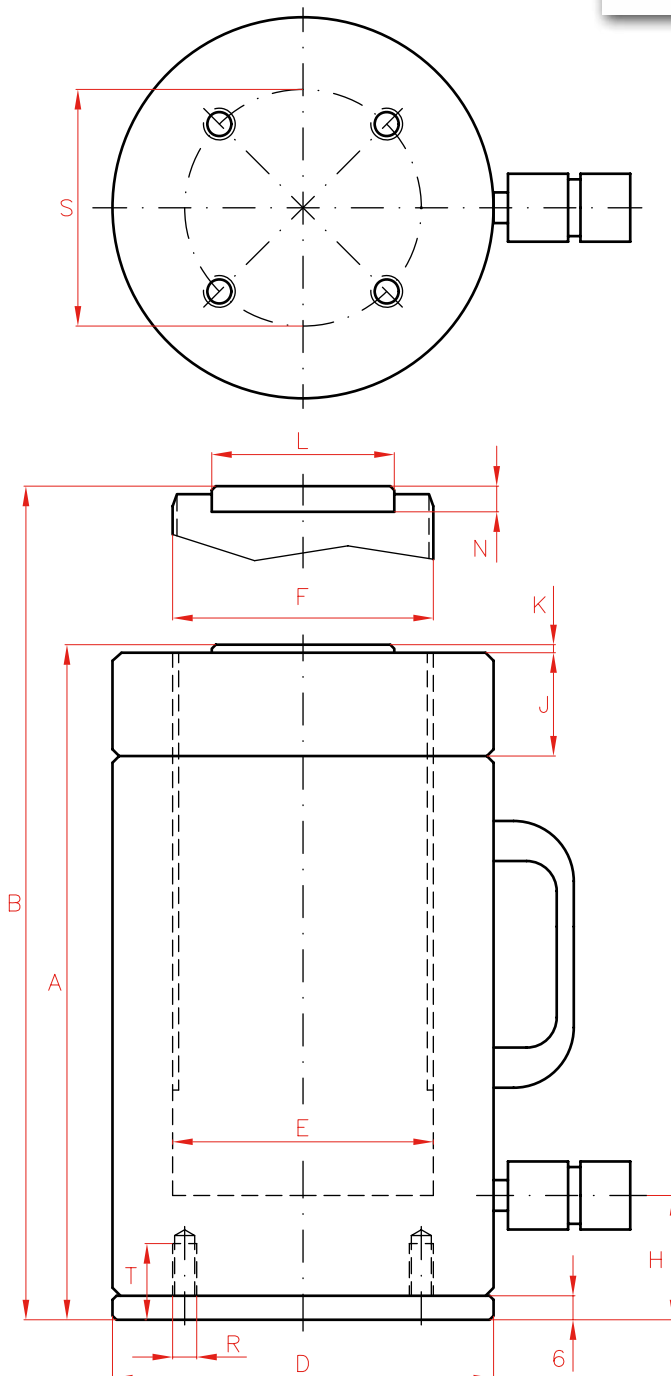


Single Acting Hand Pumps, W.  
Page. 80



Air Hydraulic Pumps, Z, ZR.

Page. 82



Capacity		Stroke	Model	Oil Cap.	A	B	
Tn	kN	mm	LARZEP	cm <sup>3</sup>	mm	mm	
30	303	50	SAT03005	221	173	223	
		100	SAT03010	442	223	323	
		150	SAT03015	663	273	423	
		200	SAT03020	884	333	533	
		250	SAT03025	1.104	383	633	
		300	SAT03030	1.325	433	733	
50	487	50	SAT05005	354	193	243	
		100	SAT05010	709	243	343	
		150	SAT05015	1.063	293	443	
		200	SAT05020	1.418	353	553	
		250	SAT05025	1.772	403	653	
		300	SAT05030	2.126	453	753	
100	911	50	SAT10005	664	216	266	
		100	SAT10010	1.327	266	366	
		150	SAT10015	1.991	326	476	
		200	SAT10020	2.655	376	576	
		250	SAT10025	3.318	446	696	
		300	SAT10030	3.982	496	796	
140	1.380	50	SAT14005	1.005	234	284	
		100	SAT14010	2.011	284	384	
		150	SAT14015	3.016	345	495	
		200	SAT14020	4.021	395	595	
		250	SAT14025	5.027	465	715	
		300	SAT14030	6.032	515	815	
200	1.946	50	SAT20005	1.418	249	299	
		100	SAT20010	2.835	299	399	
		150	SAT20015	4.253	364	514	
		200	SAT20020	5.671	414	614	
		250	SAT20025	7.088	479	729	
		300	SAT20030	8.506	529	829	



Hoses.

Page. 106



Quick Couplers.

Page. 108



Pressure Gauges.

Page. 116



Optional Tilting Saddle.

Page. 112

	D	E	F	H	J	K	L	N	R	S	T	Area	Weight	Model	With tilting saddle	
	mm	mm	mm	mm	mm	mm	mm	mm		mm	mm	cm <sup>2</sup>	kg	LARZEP	A	Model
	105	75	Tr 75x4	24	25	3	45	11	M6	85	19	44	4,4	SAT03005	198	AZ0401
	105	75	Tr 75x4	24	25	3	45	11	M6	85	19	44	5,6	SAT03010	248	AZ0401
	105	75	Tr 75x4	24	25	3	45	11	M6	85	19	44	6,8	SAT03015	298	AZ0401
	105	75	Tr 75x4	24	25	3	45	11	M6	85	19	44	8,0	SAT03020	358	AZ0401
	105	75	Tr 75x4	24	25	3	45	11	M6	85	19	44	9,2	SAT03025	408	AZ0401
	105	75	Tr 75x4	24	25	3	45	11	M6	85	19	44	10,5	SAT03030	458	AZ0401
	135	95	Tr 95x4	26	35	3	61	12	M6	115	19	71	7,9	SAT05005	220	AZ0402
	135	95	Tr 95x4	26	35	3	61	12	M6	115	19	71	9,9	SAT05010	270	AZ0402
	135	95	Tr 95x4	26	35	3	61	12	M6	115	19	71	11,9	SAT05015	320	AZ0402
	135	95	Tr 95x4	26	35	3	61	12	M6	115	19	71	13,9	SAT05020	380	AZ0402
	135	95	Tr 95x4	26	35	3	61	12	M6	115	19	71	15,9	SAT05025	430	AZ0402
	135	95	Tr 95x4	26	35	3	61	12	M6	115	19	71	17,9	SAT05030	480	AZ0402
	180	130	Tr 130x6	32	42	3	88	14	M6	160	19	133	15,6	SAT10005	249	AZ0404
	180	130	Tr 130x6	32	42	3	88	14	M6	160	19	133	19,2	SAT10010	299	AZ0404
	180	130	Tr 130x6	32	42	3	88	14	M6	160	19	133	22,8	SAT10015	359	AZ0404
	180	130	Tr 130x6	32	42	3	88	14	M6	160	19	133	26,4	SAT10020	409	AZ0404
	180	130	Tr 130x6	32	42	3	88	14	M6	160	19	133	29,9	SAT10025	479	AZ0404
	180	130	Tr 130x6	32	42	3	88	14	M6	160	19	133	33,5	SAT10030	529	AZ0404
	225	160	Tr 160x6	43	50	3	88	14	M6	200	19	201	26,0	SAT14005	267	AZ0404
	225	160	Tr 160x6	43	50	3	88	14	M6	200	19	201	31,6	SAT14010	317	AZ0404
	225	160	Tr 160x6	43	50	3	88	14	M6	200	19	201	37,2	SAT14015	378	AZ0404
	225	160	Tr 160x6	43	50	3	88	14	M6	200	19	201	43,1	SAT14020	428	AZ0404
	225	160	Tr 160x6	43	50	3	88	14	M6	200	19	201	48,3	SAT14025	498	AZ0404
	225	160	Tr 160x6	43	50	3	88	14	M6	200	19	201	53,9	SAT14030	548	AZ0404
	265	190	Tr 190x6	43	60	3	111	15	M6	225	19	284	42,9	SAT20005	286	AZ0405
	265	190	Tr 190x6	43	60	3	111	15	M6	225	19	284	50,6	SAT20010	336	AZ0405
	265	190	Tr 190x6	43	60	3	111	15	M6	225	19	284	58,4	SAT20015	401	AZ0405
	265	190	Tr 190x6	43	60	3	111	15	M6	225	19	284	66,1	SAT20020	451	AZ0405
	265	190	Tr 190x6	43	60	3	111	15	M6	225	19	284	73,9	SAT20025	516	AZ0405
	265	190	Tr 190x6	43	60	3	111	15	M6	225	19	284	81,6	SAT20030	566	AZ0406

**SINGLE ACTING, PANCAKE CYLINDERS, LOCK NUT, TILTING SADDLE**



**LARZEP advantages**

- Capacity from 50 to 1.100 Tn, stroke up to 50 mm.
- Load return. Lock nut tested under 50% overload.
- The lock nut holds the load mechanically for extended periods of time.
- Hydraulic end of stroke overflow port. Without stop ring.
- Built-in tilting saddle to improve side load resistance.
- Special coating as standard to improve corrosion and side load resistance.



Single acting hand pumps, W.

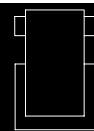
Page. 80



Powerpacks.

Page. 88

## S/A LOCK NUT CYLINDERS



# STX

### 50-1.100 Tn.

### 700 bar

CYLINDERS



Built-in Tilting Saddle.

Carefully read and understand the safety instructions.



Single Acting Lock Nut Cylinders, Load Return, STR.

Page. 32



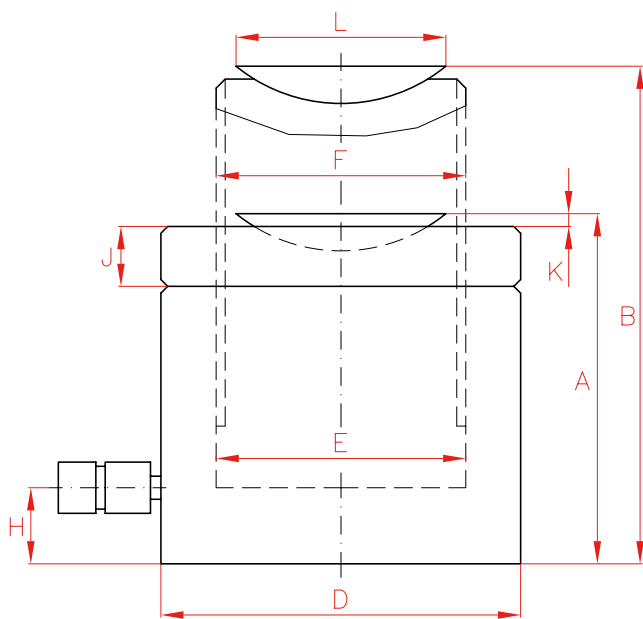
Low Height Single Acting Cylinders, Load or Spring Return, SX - SMX.

Page. 30



Low Height, Single Acting Cylinders, High Tonnage, SPR.

Page. 24

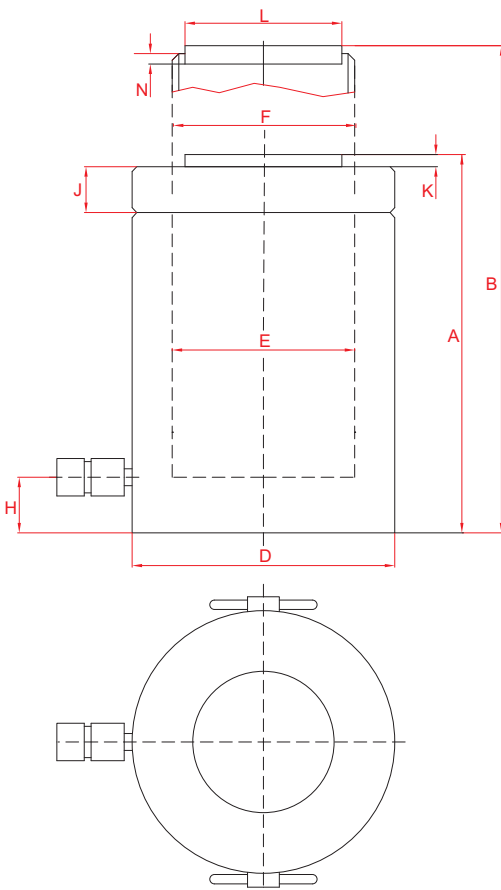


Capacity		Stroke	Model	Oil Cap.	A	B	D	E	F	H	J	K	L	Area	Weight
Tn	kN	mm	LARZEP	cm <sup>3</sup>	mm	mm	mm	mm	mm	mm	mm	mm	mm	cm <sup>2</sup>	kg
50	486	50	STX05005	355	125	175	120	95	Tr 95x4	19	21	6	92	71	11
90	911	45	STX09004	597	137	182	165	130	Tr 130x6	21	31	8	126	133	22
140	1.380	45	STX14004	905	148	193	200	160	Tr 160x6	27	38	9	148	201	39
220	2.156	45	STX22004	1.413	155	200	255	200	Tr 200x6	28	40	10	157	314	62
350	3.468	45	STX35004	2.208	178	223	310	250	Tr 250x6	35	50	11	240	491	111
430	4.227	45	STX43004	2.771	184	229	340	280	Tr 280x6	35	55	10	260	616	126
550	5.520	45	STX56004	3.618	192	237	390	320	Tr 320x6	38	60	10	295	804	193
670	6.600	45	STX67004	4.330	236	281	430	350	Tr 350x6	50	75	15	295	962	259
880	8.620	45	STX88004	5.655	268	313	490	400	Tr 400x6	60	85	20	325	1.257	482
1.100	10.905	45	STX110004	7.157	295	340	550	450	Tr 450x6	65	95	25	400	1.590	532

# SINGLE ACTING, LOCK NUT CYLINDERS

CILINDROS SIMPLE EFECTO CON TUERCA DE BLOQUEO

EINFACH WIRKENDE ZYLINDER MIT SICHERUNGSMUTTER



Capacity	Stroke	Model	Oil Cap.	A	Weight
Capacidad	Carrera	Modelo	Volumen		Peso
Kapazität	Hub	Modell	Ölvol.		Gewicht
Tn	mm	LARZEP	cm <sup>3</sup>	mm	Kg
30	50	ST03005	221	169	10,3
	100	ST03010	442	219	13,2
	150	ST03015	663	269	17,2
	200	ST03020	884	319	19,2
	300	ST03030	1.325	419	25,9
50	50	ST05005	355	185	17,3
	100	ST05010	709	235	22
	150	ST05015	1.063	285	29,5
	200	ST05020	1.417	335	31,8
	300	ST05030	2.126	435	40,9
100	50	ST10005	663	200	40
	100	ST10010	1.327	250	48,2
	150	ST10015	1.989	300	58,5
	200	ST10020	2.654	350	68,5
	300	ST10030	3.980	450	83,5
140	50	ST14005	1.005	211	60
	100	ST14010	2.010	259	72,5
	150	ST14015	3.014	309	88
	200	ST14020	4.020	359	102
	300	ST14030	6.029	459	130
200	50	ST20005	1.570	245	105
	100	ST20010	3.140	295	128
	150	ST20015	4.710	345	149
	250	ST20025	7.850	395	213
350	50	ST35005	2.453	275	183
	100	ST35010	4.906	345	229
	150	ST35015	7.360	395	263
	250	ST35025	12.265	495	329
430	50	ST43005	3.079	335	296
	100	ST43010	6.157	385	340
	150	ST43015	9.236	435	385
	250	ST43025	15.393	535	473
560	50	ST56005	4.019	345	390
	100	ST56010	8.038	425	481
	150	ST56015	12.058	475	537
	250	ST56025	20.095	575	650
670	50	ST67005	4.811	395	545
	100	ST67010	9.621	445	614
	150	ST67015	14.432	495	683
	250	ST67025	24.053	595	821
880	50	ST88005	6.280	400	714
	100	ST88010	12.560	505	901
	150	ST88015	18.840	555	1.008
	250	ST88025	31.400	655	1.170
1.100	50	ST110005	7.949	443	969
	100	ST110010	15.896	548	1.201
	150	ST110015	23.845	598	1.310
	250	ST110025	39.741	698	1.530

Single acting cylinders, load return with lock nut designed to support loads mechanically.

Cilindros de simple efecto, retorno por carga con tuerca de bloqueo para soportar mecánicamente la carga.

Einfach wirkende Zylinder, Lastrückzug, mit Sicherungsmutter zum mechanischen Halten von Lasten.



pag. 22

For confined spaces, use STX models.

Para espacios reducidos utilice los modelos STX.

Benutzen Sie für beschränkte Freiräume STX-Modelle.

SINGLE ACTING, LOCK NUT CYLINDERS.  
CILINDROS SIMPLE EFECTO CON TUERCA DE BLOQUEO  
EINFACH WIRKENDE ZYLINDER MIT SICHERUNGSMUTTER



**ST**

30-1100 Tn.

700 bar

Used for foundation supporting: bridge construction, buildings and shipbuilding, etc.

Loads are fully held mechanically for long periods of time, thanks to the lock nut.

LARZEP supplies these cylinders with optional tilting saddles; their use is highly recommended.

Utilizados para la construcción y operaciones de mantenimiento en grandes obras: puentes, edificios, buques, etc.

Mediante la tuerca de bloqueo el cilindro soporta la carga con total seguridad, de forma mecánica cuando sea necesario mantener la carga elevada un largo período de tiempo.

LARZEP suministra como opción cabezas basculantes que minimizan los efectos de las cargas laterales.

LARZEP recomienda el uso de estas cabezas en este tipo de cilindro.

Für den Einsatz im Bauwesen: Brücken-, Gebäude-, Schiffbau, usw.

Mittels der Sicherungsmutter werden Lasten von dem Zylinder in mechanischer Weise langfristig sicher gehalten.

LARZEP empfiehlt für diese Zylinder zum Schutz vor seitlichen Belastungen der Einsatz von beweglichen Druckstücken.



pag. 60

Optional tilting saddles.

Cabezas oscilantes opcionales.

Wahlweise bewegliche Druckstücke.



pag. 64

The use of a gauge is recommended for load control.

Controle la carga mediante manómetros.

Zur Lastkontrolle werden Manometer empfohlen.

ARZEP  
HYDRAULIC

Capacity	Capacity	Area	D	E	F	H	J	K	L	N
Capacidad	Capacidad	Area								
Kapazität	Kapazität	Fläche								
Tn	kN	cm <sup>2</sup>	mm	mm		mm	mm	mm	mm	mm
30	303	44	100	75	Tr 75x4	25	30	3	45,5	8
50	487	71	125	95	Tr 95x4	30	36	3	61,5	9
100	911	133	180	130	Tr 130x6	30	44	3	88	11
140	1.380	201	215	160	Tr 160x6	39	46	3	111	12
200	2.156	314	265	200	Tr 200x6	50	50	3	131	12
350	3.369	491	330	250	Tr 250x6	59	60	3	178	20
430	4.227	616	380	280	Tr 280x6	75	75	5	200	22
560	5.520	804	430	320	Tr 320x6	80	80	5	250	30
670	6.605	962	475	350	Tr 350x6	90	90	5	290	40
880	8.625	1.256	540	400	Tr 400x6	100	100	5	290	40
1.100	10.916	1.590	600	450	Tr 450x6	110	113	5	325	50