

**SINGLE ACTING, LOW PROFILE CYLINDERS,  
LOAD OR SPRING RETURN**



**LARZEP advantages**

- Capacity from 4 to 150 Tn, stroke up to 16 mm.
- Two versions: SX for load return, and SMX for spring return.
- For use in confined spaces: machinery positioning, tool fastening.
- With two parallel faces for horizontal operation.
- Mounting bolt holes for easy fixing.
- Models up to 30 Tn are black nitrated.
- SX models from 50 to 150 Tn can be fitted with optional tilting saddles.



Low Height Single Acting Telescopic Cylinders, SLX.



Single Acting Hand Pumps, W.

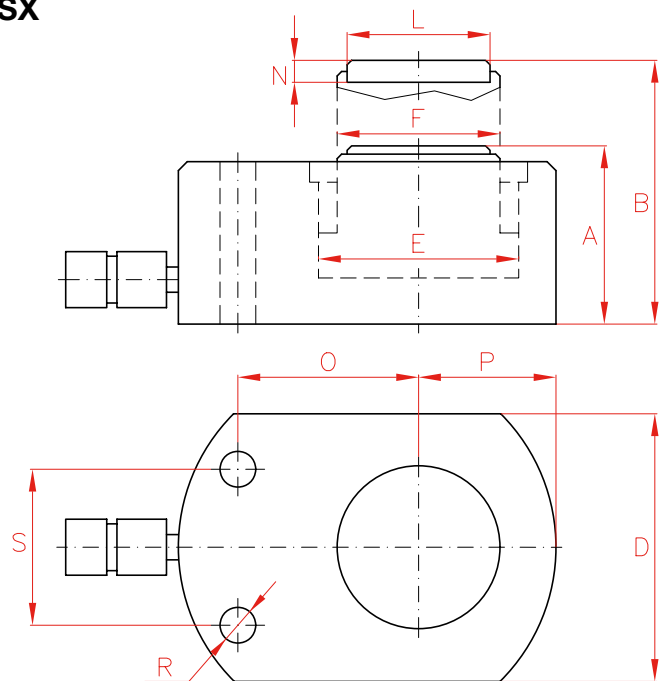
Page. 80

Carefully read and understand the safety instructions.

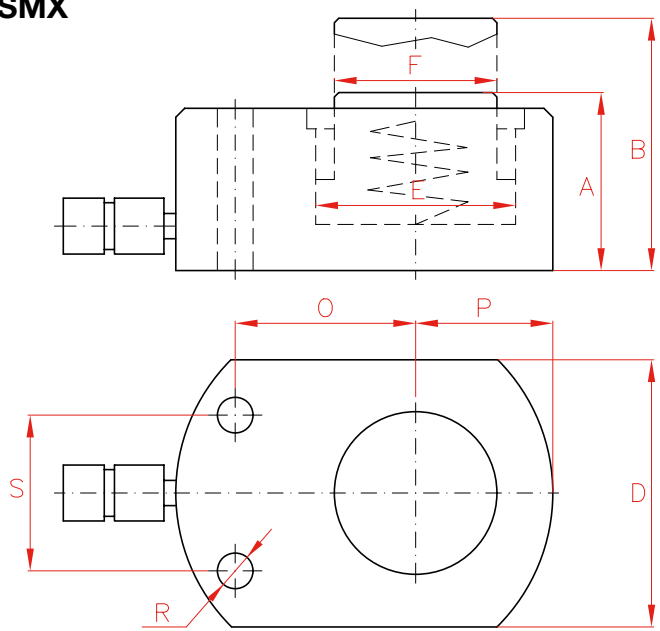


Coupler inclined 10°

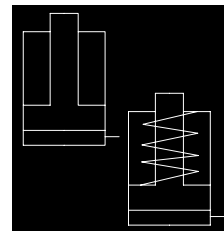
## SX



## SMX



### SINGLE ACTING CYLINDERS



# SX SMX

CYLINDERS

4-150 Tn.

700 bar



Single Acting Cylinders,  
High Tonnage, SSR

Page. 50



Single Acting Pancake  
Lock Nut Cylinders, STX.

Page. 46



Optional Tilting Saddle for SX  
models from 50 to 150 Tn.

Page. 112

Capacity		Stroke	Model	Model	Oil Cap.	A	B	D	E	F	L	N	O	P	S	R	Area	Weight
Tn	kN	mm	LARZEP	LARZEP	cm <sup>3</sup>	mm	mm	mm	mm	mm	mm	mm	mm	mm	mm	mm	cm <sup>2</sup>	kg
4	44	6	SX00406	SMX00406	4	33	39	41	28,5	25	-	-	20	21	28	5,5	6	0,8
		16	SX00416	SMX00416	11	43	59	41	28,5	25	-	-	20	21	28	5,5	6	1,2
10	100	11	SX01011	SMX01011	16	43	54	56	43	38	-	-	33	29	37	6,5	15	1,6
22	228	11	SX02211	SMX02211	37	52	63	80	65	57	-	-	39	41	50	9	33	2,8
30	287	13	SX03013	SMX03013	55	59	72	95	73	60	-	-	46	47	52	11	42	4,1
50	487	16	SX05016	SMX05016	114	68	84	114	95	78	61	12	56	58	67	13	71	6,6
75	713	16	SX07516	SMX07516	167	79	95	140	115	95	76	15	66	70,5	75	13	104	12,5
100	954	16	SX10016	SMX10016	223	87	103	162	133	108	88	14	70	89	76	6,6	139	15,0
150	1.450	16	SX15016	SMX15016	338	100	116	194	164	134	111	15	78	108	117	9	211	25,0