

# ww-FZ

## 700 Bar Low Profile Cylinder

ISO9001 : 2008 | Made in Eichstätt / Germany

High performance at low profile  
Especially suitable for limited space  
Single acting - spring or load return

The flat cylinders of this series are made of high-strength special steel with hardened piston surfaces. All low profile cylinders are suitable for frequent use and available with load or spring return. Compact and flat design allows applications where space is limited.



FZ-020-20

FZ-010-10

FZ-02006

360° rotatable connector.

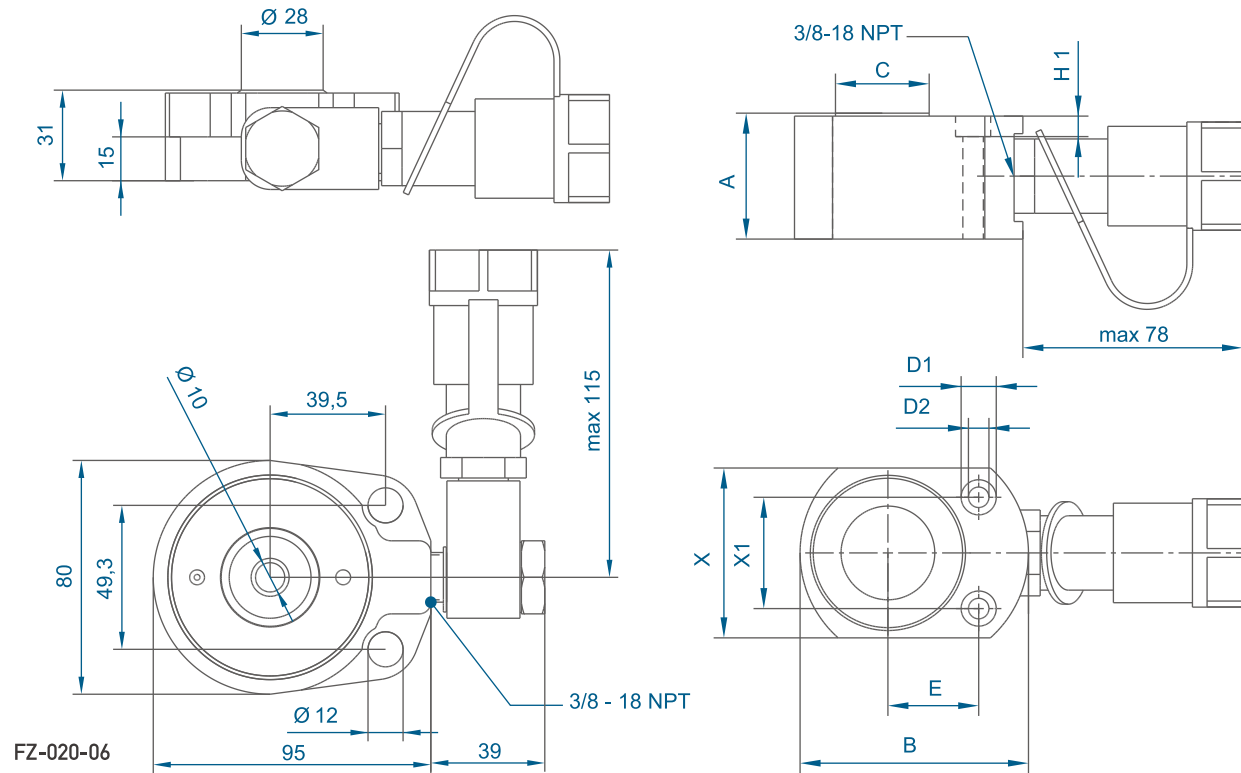
Usable with all cylinders.



ww-DA P700



360° Rotatable connector optionally available.



### Technical Data

Type	Capacity		Stroke (mm)	Area (cm <sup>2</sup> )	Oil cap. (cm <sup>3</sup> )	Height A (mm)	Weight (kg)
	(ton)	(kN)					
FZ - 010 - 10	10	98	10	15,9	16	48	1,3
FZ - 020 - 06	20	196	6	28,27	17	38	1,5
FZ - 020 - 10	20	196	10	28,27	28,5	58	2,5
FZ - 030 - 13	30	294	13	42	55	59	4,1
FZ - 050 - 16	50	490	16	71	114	68	6,6
FZ - 075 - 16	75	735	16	104	167	79	12,5
FZ - 100 - 16	100	981	16	139	223	87	15
FZ - 150 - 16	150	1,471	16	211	338	100	25

### Sizes

Type	X	X1	B	C	E	D1	D2
	(mm)						
FZ - 010 - 10	58	37	78	32	22	12	7
FZ - 020 - 06	80	49	95	27	11	16	12
FZ - 020 - 10	77	49	102	28	26	16	10
FZ - 030 - 13	95	52	-	60	46	11	-
FZ - 050 - 16	114	67	140	78	56	20	13
FZ - 075 - 16	140	75	-	95	66	13	-
FZ - 100 - 16	158	76	180	108	70	6,6	10
FZ - 150 - 16	194	117	-	134	78	9	-



Werner Weitner GmbH Sollnau 14 D-85072 Eichstätt • Tel: + 49 8421 9816-0 • Fax: + 49 8421 9816-98 • info@werner-weitner.com  
Official Web Site: [www.werner-weitner.com](http://www.werner-weitner.com) | Marketing Platform: [www.weitnertools.com](http://www.weitnertools.com) | Distributed by SURKON

HYDRAULIC PRODUCTS