

ww-WAE

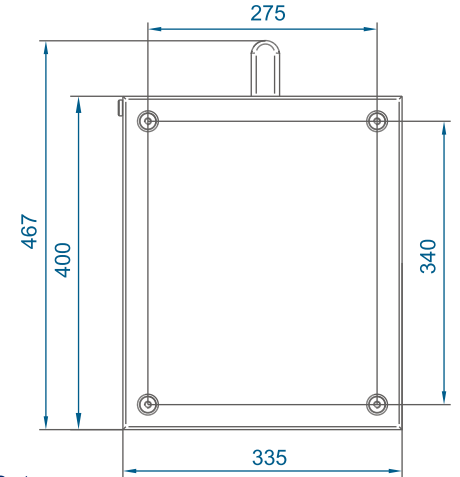
700 Bar Electrical Hydraulic Pumps

ISO9001 : 2008 | Made in Eichstätt / Germany

Operation pressure max 700 bar
Single or double acting usage possible
Radial piston, two speed dynamic pump
Max. Security with pressure relief valve
Pressure keeping under load
Standard 1000 bar manometer
Adjustable pressure

Cable remote control with Selenoid valve optional

Werner Weitner WAE series units can be used mobile and stationary. All WAE units are equipped with a high-performance 230V or 380V electrical engines. The unit pump operates both low pressure and high pressure as two stages. At first stage, unit operates until 100 bar and pumps 4Lt oil per minute. Second stage starts from 100 bar and pumps 12Lt oil per minute until 700 bar. For the security conditions Weitner units discharge the exceeding oil to the tank with the help of a relief valve when pressure reaches 700 bar. Power units are supplied with manual or Selenoid control valve. Pressure value can be adjusted from the external tuning between 50 and 700 bar. Weitner WAE units also suitable for both single and double acting operations and designed for frequent use.



Technical Data

Operation pressure	700 bar (10150 psi)
Pump unit	Two speed, radial piston
Useable oil capacity	12 Liter (standart size)
Remote control	Optional (WAE-2 & WAE-4)
Pressure gauge	Gliserin filled, 63mm 1.000 bar
Frameless sizes	467 x 340 x 424 mm
Connection thread	2 x 3/8" NPT

Scope of Supply

Assembled with manometer and 4/3 manual gate valve, high-pressure thread coupling with protection cap.
Oil filled and ready to use.

Type	Elektroengine			Weight kg	Flow rate		Valve & Function
	volt	rpm	kW		100 Bar-1.stg	700 Bar-2.stg	
WAE-1	230 V	2850	2,2	50	4,3 Lt/min	1,2 Lt/min	4/3 Hand slide valve
WAE-2	230 V	2850	2,2	50	4,3 Lt/min	1,2 Lt/min	4/3 Directional seated valve
WAE-3	380 V	2850	1,5	50	4,3 Lt/min	1,2 Lt/min	4/3 Hand slide valve
WAE-4	380 V	2850	1,5	50	4,3 Lt/min	1,2 Lt/min	4/3 Directional seated valve

* More pressure settings and tank sizes available on request



Werner Weitner GmbH Sollnau 14 D-85072 Eichstätt • Tel: + 49 8421 9816-0 • Fax: + 49 8421 9816-98 • info@werner-weitner.com
Official Web Site: www.werner-weitner.com | Marketing Platform: www.weitnertools.com | Distributed by SURKON

HYDRAULIC PRODUCTS