



FLANGE TOOL INNOVATION

PRODUCT DATA SHEET

SWi12/14TM

INNOVATIVE MECHANICAL
FLANGE SPREADING WEDGE

SPREADING FORCE:

12T (120kN) 1st step

14T (140kN) 4th step

SPREADING DISTANCE:

6.0 - 103.5mm (0.24 - 4.1")

WEIGHT: 6.2kg (13.7lb)

CAPABILITIES

With 175Nm (130ft.lb) torque applied:

12T spread force (1st step)

14T spread force (4th step)

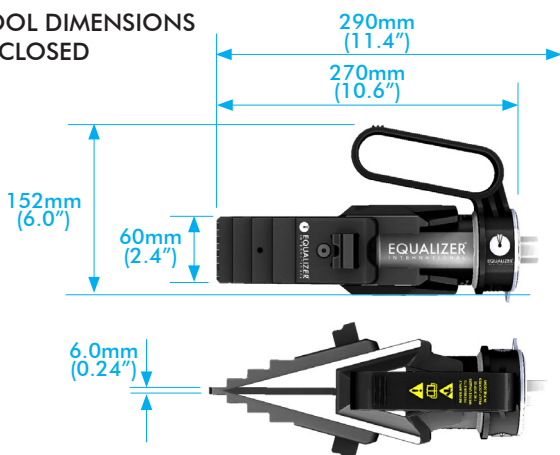
6.0mm – 87.5mm
(0.24" - 3.4") spread over 4 steps
(without stepped blocks)

48.5mm – 103.5mm
(1.9" - 4.1") spread over 2 steps
(with stepped blocks)

6.0mm – 40.0mm
(0.24" - 1.6") spread
using only 1st step



TOOL DIMENSIONS - CLOSED



USER FEATURES

- Practical, portable and lightweight
- Moulded plastic handle for comfort
- Revolving handle to aid horizontal or vertical spreading
- Offset handle is directly over the centre of mass
- Removable handle for improved access
- Revolving lanyard connection point
- Spread indicator markings for clear precise visual progress feedback

SAFETY FEATURES

- No finger pinch-points
- Increased step depth on upper steps
- Safety lanyard – 1.0m (39") length
- Forged key components for strength and reliability
- Fail-safe design – designated cylinder nose seal failure

MAINTENANCE FEATURES

- Rapid disassembly and assembly
- Quick jaw replacement – remove 1 fastener
- Quick tip replacement – remove 2 fasteners
- Narrow jaw teeth – improved tool wear

info@equalizerinternational.com
www.equalizerinternational.com

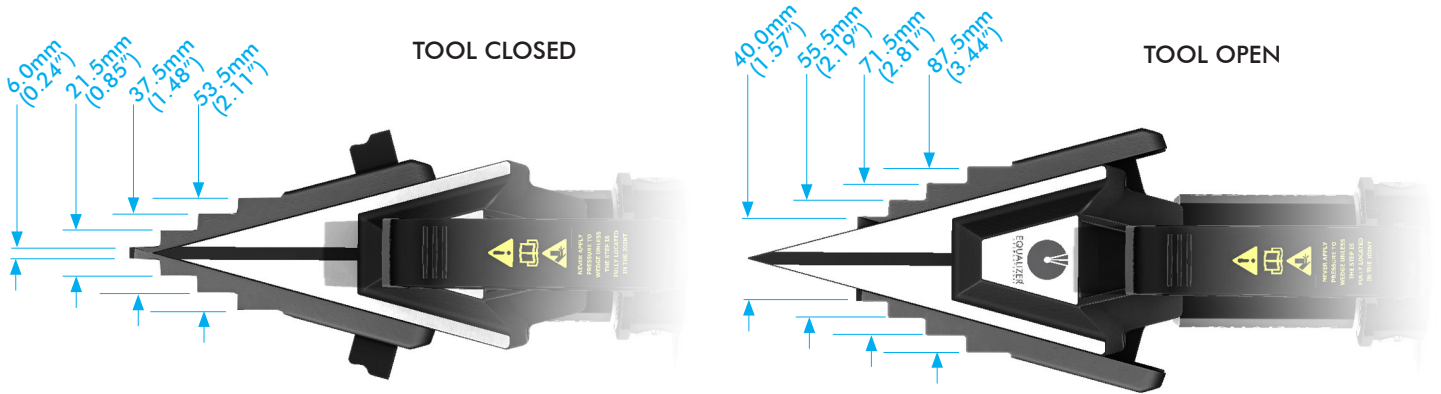
SWi12/14TM

INNOVATIVE MECHANICAL
FLANGE SPREADING WEDGE

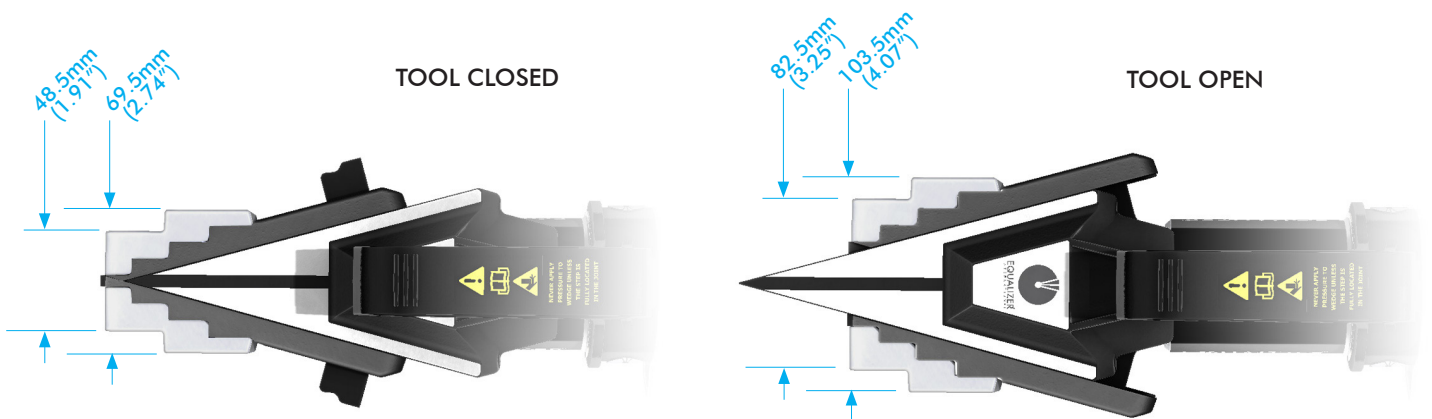


FLANGE TOOL INNOVATION

JAW DIMENSIONS (WITHOUT STEPPED BLOCKS ATTACHED)



JAW DIMENSIONS (WITH STEPPED BLOCKS ATTACHED)



STANDARD KIT

- 1 x SWi12/14TM Mechanical Flange Spreader Wedgehead
- 1 x 12/14TM Mechanical Cylinder
- 1 x Torque Wrench with 22mm Socket
- 1 x Set of Safety Blocks
- 1 x Pair of Stepped Blocks
- 1 x Lanyard
- 1 x Hex Key
- 1 x Instruction Manual
- 1 x Plastic Carry Case

580mm x 330mm x 165mm (22.8" x 13.0" x 6.5")
Gross Kit Weight 13.0kg (28.7lb)
Product Code: SWi1214TMSTDSPB

