



FLANGE TOOL INNOVATION

PRODUCT DATA SHEET

SW15TE HYDRAULIC FLANGE SPREADER

MINI KIT | STANDARD KIT | MAXI-KIT

SPREADING FORCE:

with 10,000 psi (700 bar) hydraulic pressure applied:
15.5T (155kN) per tool

It is recommended that tools are used in pairs giving:
2 x 15.5 = 31T (310kN)

TOOL WEIGHT = 7.0kg (15.4lb)

KIT COMPONENTS | MINI

- 1 x SW15TE Wedgehead
- 1 x 10,000 psi (700 bar) Hydraulic Cylinder
- 1 x Safety Block
- 1 x Instruction Manual
- 1 x Cardboard Packaging
- Product Code: SW15TEMIN

KIT COMPONENTS | STD

- 1 x SW15TE Wedgehead
- 1 x Pair of Stepped Blocks
- 1 x 10,000 psi (700 bar) Hydraulic Hose, 2m (78.75")
- 1 x 10,000 psi (700 bar) Hydraulic Cylinder
- 1 x 10,000 psi (700 bar) HP350S Sealed Hand Pump with Gauge
- 1 x Safety Block
- 1 x Instruction Manual
- 1 x Carry Case
- Product Code: SW15TESTDSPB

KIT COMPONENTS | MAXI

- 2 x SW15TE Wedgehead
- 2 x Pair of Stepped Blocks
- 2 x 10,000 psi (700 bar) Hydraulic Hose, 2m (78.75")
- 2 x 10,000 psi (700 bar) Hydraulic Cylinder
- 1 x 10,000 psi (700 bar) HP350D Sealed Hand Pump with Gauge
- 2 x Safety Block
- 1 x Instruction Manual
- 1 x Carry Case
- Product Code: SW15TEMAXSPB

WEIGHTS AND DIMENSIONS

Tool Weight= 7 kg (15.4 lbs)
Safety Block= 0.5 kg (1.1 lbs)
Gross Weight = 7.5 kg (16.5 lbs)

Tool Weight= 7 kg (15.4 lbs)
Carry Case= 6 kg (13.2 lbs)
Gross Weight = 19.5 kg (43 lbs)

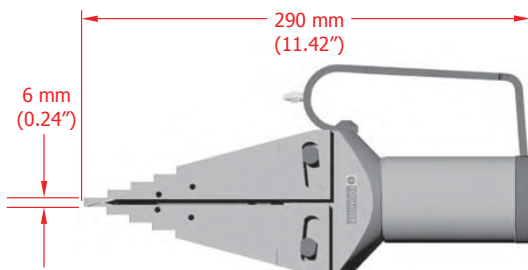
Tool Weight= 7 kg (15.4 lbs)
Carry Case= 6 kg (13.2 lbs)
Gross Weight = 31 kg (68.3 lbs)

Packaging Dimensions:
190 x 180 x 320mm (7.48" x 7.09" x 12.60")

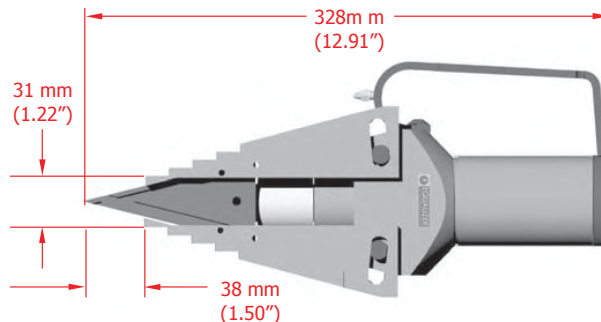
Carry Case Dimensions:
920 x 520 x 210mm (36.22" x 20.47" x 8.26")

Carry Case Dimensions:
920 x 520 x 210mm (36.22" x 20.47" x 8.26")

TOOL DIMENSIONS - CLOSED



TOOL DIMENSIONS - OPEN



info@equalizerinternational.com
www.equalizerinternational.com

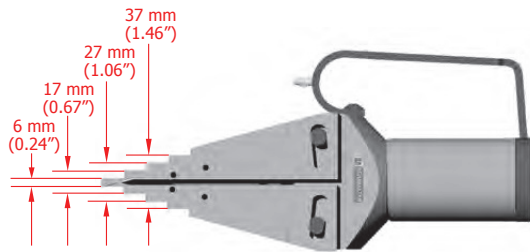
SW15TE

HYDRAULIC FLANGE SPREADER

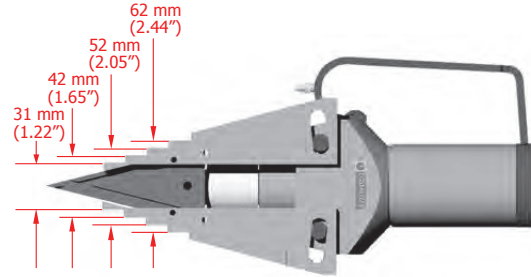


FLANGE TOOL INNOVATION

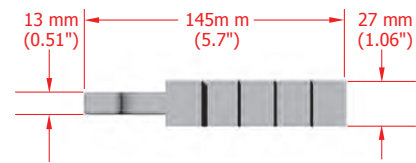
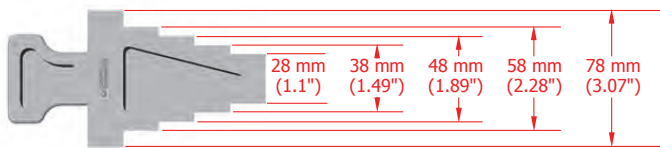
TOOL DIMENSIONS - CLOSED



TOOL DIMENSIONS - OPEN



SAFETY BLOCK DIMENSIONS



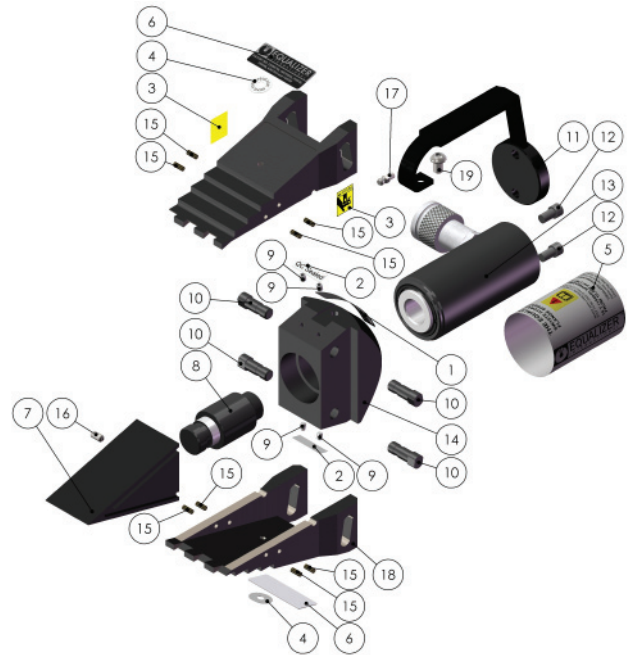
RANGE OF APPLICATION

All flanges with a minimum access gap of 6mm (0.24")

PARTS LIST AND EXPLODED DRAWING

ITEM	PART No.	DESCRIPTION	QUANTITY
01		SERIAL NO STICKER	01 each
02		QC SEALED STICKER	02 each
03		PINCH POINT STICKER	02 each
04		GREASE POINT STICKER	02 each
05		CYLINDER STICKER	01 each
06		BADGE LOGO	02 each
07	300101-01	WEDGE	01 each
08	300301-01	PUSH PIN	01 each
09*		M5X6 SCKT SCREW	04 each
10*		SLIDE PIN	04 each
11	300701-01	HANDLE	01 each
12*		BASE SCREWS FOR HANDLE	02 each
13	301003-01	HYDRAULIC CYLINDER	02 each
14	301102-01	MAIN BODY	01 each
15*		SPIROL PIN	08 each
16*		M6X12 GRUB SCREW	01 each
17	310601-01	M6 GREASE NIPPLE	01 each
18	315401-01	FORGED JAW	02 each
19*		RETAINING SCREW FOR HANDLE	01 each
20	301403-01	CYLINDER REPAIR KIT (Not Illustrated)	01 kit

*Items 09,10,12,15,16 and 19 are supplied in repair kit part no: 310301-01



STEPPED BLOCKS

Stepped Blocks can be used singly or in pairs to increase the maximum spreading distance of the SW15TE to 81 mm



STEPPED BLOCK KIT

(AVAILABLE AS AN OPTION)

KIT COMPONENTS

- 2 x Stepped Blocks
 - 2 x M6 x 10 mm Countersunk Screws
 - 1 x 4 mm Hex Key
- Kit Part No: 303301-01

WEIGHTS AND DIMENSIONS

Stepped Block = 0.52 kg (1.14 lb)

GROSS WEIGHT = 1.5 kg (3.5 lb)

