

Drehmoment-Vervielfältiger Torque multipliers

BOLTMAX
g-power **Mx**

100 - 16000 Nm

Drehmomentvervielfältiger mit Schrägabstützung

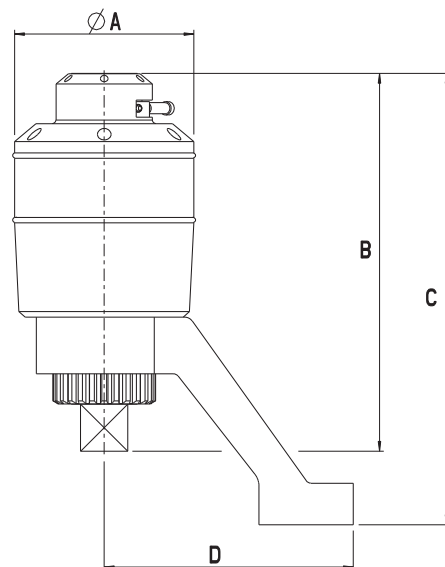
- RS-Rücklaufsperre

Torque multiplier with angled reaction anchor

- RS = anti backlash device

| Artikel-Nr. Order-No. | Ident-Nr. Ident-No. | | *: ✨ | Nm _{max} | Eingang Input | Ausgang Output | RS | A | B | C | D | ⚖ |
|--------------------------|------------------------|--|-------|-------------------|------------------|-------------------|----|-----|-----|-----|-----|-------|
| Mx8 | 31010 | | 1:3,5 | 800 | 12,5 (1/2") | 20 (3/4") | | 65 | 105 | 132 | 130 | 1300 |
| Mx18 | 31020 | | 1:3,6 | 1800 | 20 (3/4") | 25 (1") | | 90 | 150 | 188 | 132 | 3000 |
| Mx28 | 31030 | | 1:13 | 2800 | 12,5 (1/2") | 25 (1") | x | 95 | 200 | 240 | 132 | 5200 |
| Mx38 | 31040 | | 1:13 | 3800 | 20 (3/4") | 25 (1") | x | 95 | 200 | 240 | 132 | 5200 |
| Mx50 | 31050 | | 1:17 | 5000 | 20 (3/4") | 40 (1 1/2") | x | 120 | 215 | 272 | 150 | 7000 |
| Mx80 | 31060 | | 1:49 | 8000 | 20 (3/4") | 40 (1 1/2") | x | 132 | 268 | 344 | 200 | 11500 |
| Mx120 | 31070 | | 1:58 | 12000 | 20 (3/4") | 40 (1 1/2") | x | 156 | 272 | 348 | 200 | 14000 |
| Mx160 | 31080 | | 1:75 | 16000 | 20 (3/4") | 63 (2 1/2") | x | 215 | 292 | 370 | 225 | 26000 |

BOLTMAX
g-power **Mx**



Abstützungen für Boltmax g-power

SA: Schrägabstützung
GA: Geradabstützung

Reaction anchor for Boltmax g-power

SA: angled reaction anchor
GA: straight reaction anchor

| Artikel-Nr. Order-No. | Ident-Nr. Ident-No. | | — | ↘ | für Mx for Mx |
|--------------------------|------------------------|--|---|---|------------------|
| SA-8 | 35003 | | x | | Mx8 |
| GA-8 | 35004 | | | x | Mx8 |
| SA-18 | 31318 | | x | | Mx18, Mx28, Mx38 |
| GA-18 | 31319 | | | x | Mx18, Mx28, Mx38 |
| SA-50 | 35063 | | x | | Mx50 |
| GA-50 | 35064 | | | x | Mx50 |
| SA-80 | 35083 | | x | | Mx80, Mx120 |
| GA-80 | 35084 | | | x | Mx80, Mx120 |
| SA-160 | 35085 | | x | | Mx160 |
| GA-160 | 35086 | | | x | Mx160 |

Sonderabstützung nach Kundenwunsch auf Anfrage

Special reaction anchor on request