

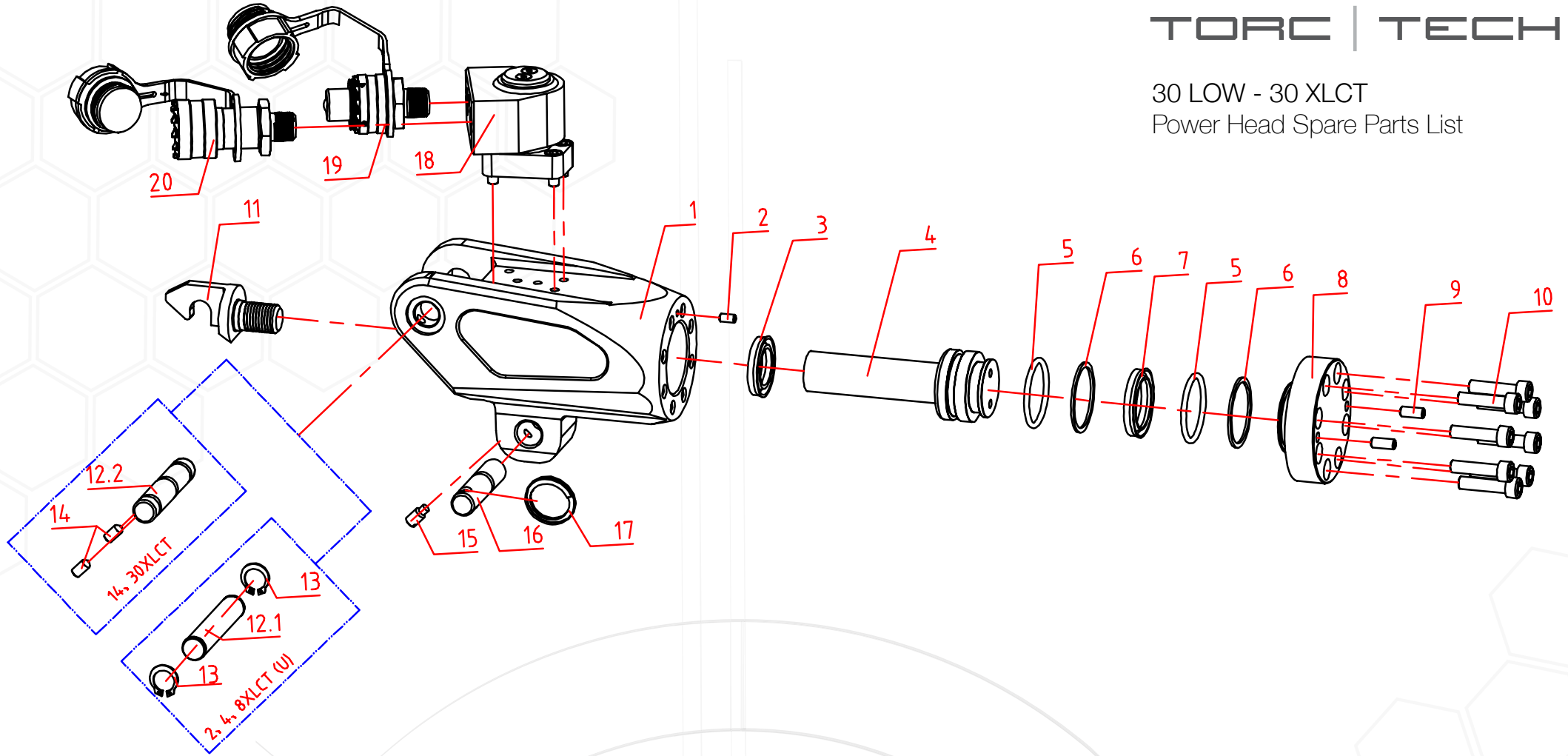
Part No	Description	Qty.
SP30LC-01.1	RIGHT SIDE PLATE	1
SP30LC-02	BRASS BUSHING	2
SP30LC-03	LEFT DRIVE PLATE	1
SP30LC-04	REACTION BLOCK EXTENSION	1
SP30LC-05	HEX RATCHET	1
SP30LC-06	RIGHT DRIVE PLATE	1
SP30LC-07.1	LEFT SIDE PLATE	1
SP30LC-08	SCREW	4

Part No	Description	Qty.
SP30LC-09	SCREW	4
SP30LC-10.1	TOP SPACER	1
SP30LC-11	ROLL PIN	1
SP30LC-12	DRIVE PIN	1
SP30LC-13	ROLL PIN	2
SP30LC-14	DRIVE PIN SPRING	1
SP30LC-15	SECONDARY DRIVE PAWL	1
SP30LC-16	SPRING RING	1

Part No	Description	Qty.
SP30LC-17	TENSION SPRING	1
SP30LC-18	PRIMARY DRIVE PAWL	1
SP30LC-19	SPRING SPACER	1
SP30LC-20	TENSION SPRING	1
SP30LC-21.1	ROLL PIN	1
SP30LC-22	SPACER	1
SP30LC-23.1	REACTION PAWL	1
SP30LC-24	SCHROUD	1

30 LOW - 30 XLCT

Power Head Spare Parts List



Part No	Description	Qty.
SP30LP-00	SEAL KIT	1
SP30LP-01	HOUSING	1
SP30LP-02	SCREW	1
SP30LP-04	PISTON ROD ASSAMBLY	1
SP30LP-08	END CAP	1

Part No	Description	Qty.
SP30LP-09	SCREW	2
SP30LP-10	SCREW	8
SP30LP-11	ROD END	1
SP30LP-12.2	FIXED UPPER PIN	1
SP30LP-13	RETAINING RING	1

Part No	Description	Qty.
SP30LP-14	SCREW	2
SP30LP-15	SCREW WITH SPRING	2
SP30LP-16	SHORT LINK PIN	2
SP30LP-17	RING	1
SP30LP-18	SWIVEL	1