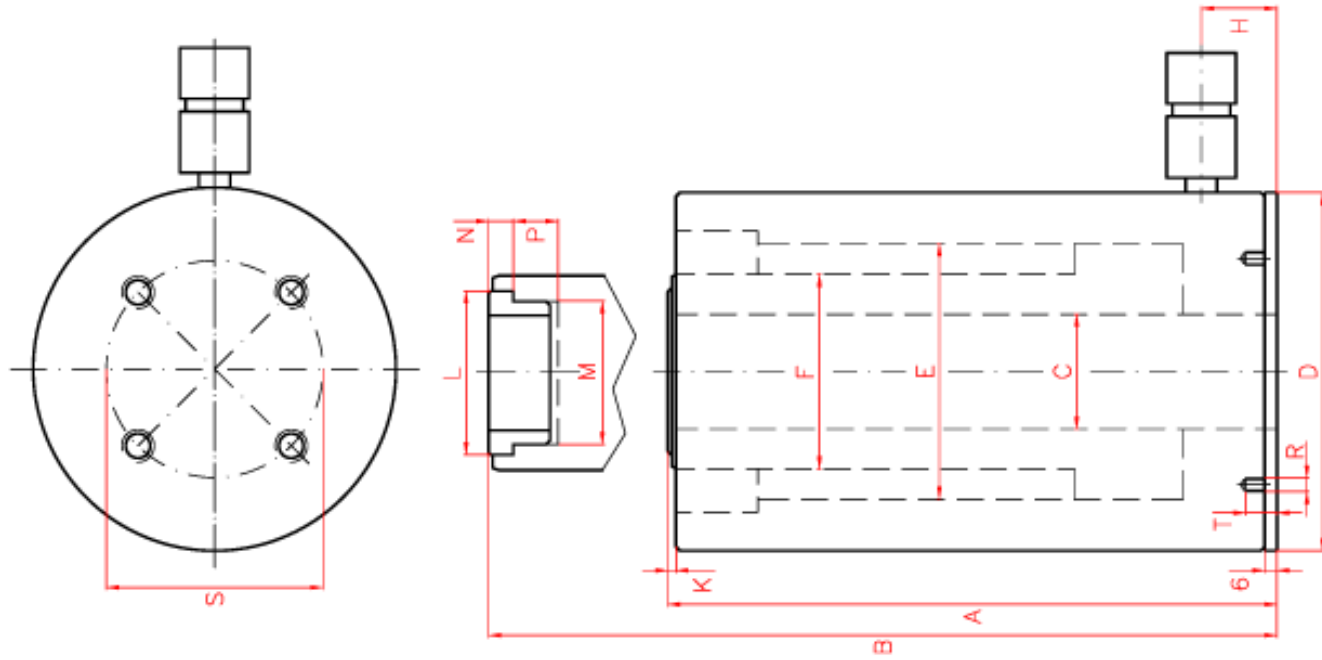


# SH Serisi Çelik Gövde Delikli Piston Krikolar



Kapasite		Strok	Model	Yağ Kapasitesi	A	B	C	D	E	F	H	I	J	K	L	M	N	P	R	S	T	Etki Alanı	Ağırlık
Tn	kN	mm	LARZEP	cm <sup>3</sup>	mm	mm	mm	mm	mm	mm	mm		mm	mm	mm		mm	mm		mm	mm	cm <sup>2</sup>	kg
12	121	40	SH01204	70	124	164	21	75	55	40	19	2 3/4"-16	30	3	34	M28*1,5	7	18	5/16"-18	51	12	18	4
		76	SH01208	134	176	252	21	75	55	40	19	2 3/4"-16	30	3	34	M28*1,5	7	18	5/16"-18	51	12	18	5
		150	SH01215	264	300	450	21	75	55	40	19	2 3/4"-16	30	3	34	M28*1,5	7	18	5/16"-18	51	12	18	8,5
22	217	50	SH02205	158	165	215	27	105	75	56	23	3 7/8"-12	38	3	48	1 9/16"-16	8	20	3/8"-16	83	15	32	9,5
		150	SH02215	474	318	468	27	105	75	56	23	3 7/8"-12	38	3	48	1 9/16"-16	8	20	3/8"-16	83	15	32	18
30	302	50	SH03005	220	180	230	33	120	90	68	26	4 1/2"-12	42	4	55	1 13/16"-16	9	22	3/8"-16	92	17	44	14
		150	SH03015	660	322	472	33	120	90	68	26	4 1/2"-12	42	4	55	1 13/16"-16	9	22	3/8"-16	92	17	44	23,5
60	578	76	SH06008	640	253	329	56	165	125	95	31	6 1/4"-12	48	4	80	2 3/4"-16	12	22	1/2"-13	130	14	84	35
		153	SH06015	1.288	341	494	56	165	125	95	31	6 1/4"-12	48	4	80	2 3/4"-16	12	22	1/2"-13	130	14	84	44
100	1.018	80	SH10008	1.187	306	386	81	220	170	130	37	8 3/8"-12	60	5	116	4"-16	13	25	5/8"-11	178	19	148	73