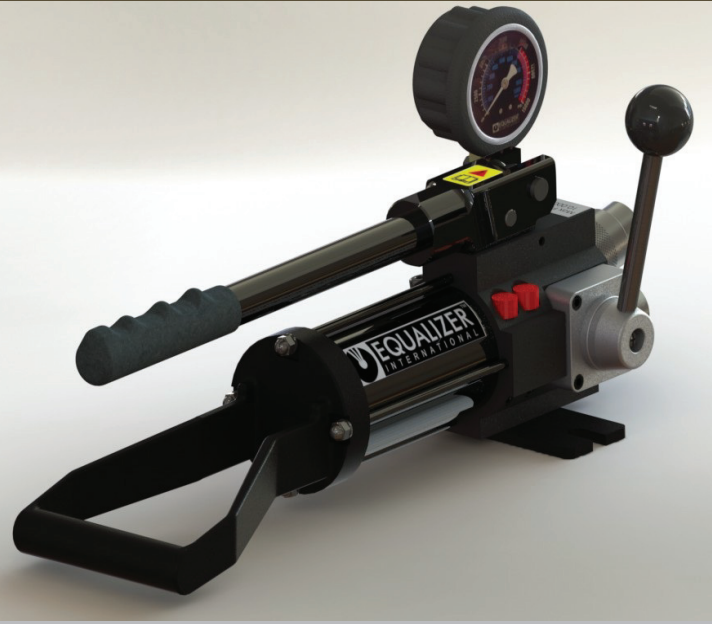




"innovation in its most functional form"

# PRODUCT DATA SHEET



## HP350SD

**DOUBLE ACTING  
HYDRAULIC  
SEALED HAND PUMP**

### PRESSURE RATING:

1st STAGE: 13.8 bar (197 psi)

2nd STAGE: 700 bar (10,000 psi)

CAPACITY: 350cc

TOOL WEIGHT = 5kg (11.02 lbs)

### KIT COMPONENTS

- 1 x HP350SD Pump Unit
  - 2 x 0-1000 bar (0-15,000 psi) Gauge
  - 2 x 3/8" Port Gauge Adaptor
  - 1 x Instruction Manual
  - 1 x Cardboard Packaging
- Product Code: HP350SDMIN



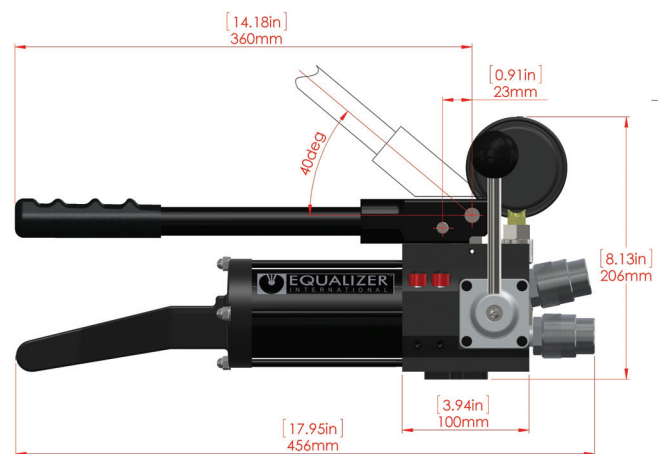
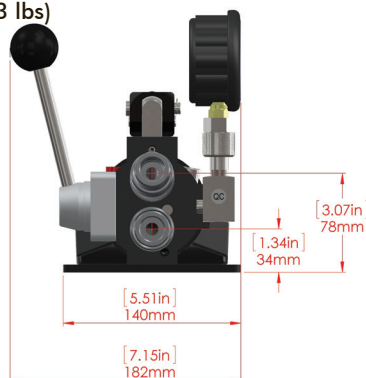
|   |               |              |
|---|---------------|--------------|
| MODEL                                       | HP350SD       |              |
| PUMP TYPE                                   | TWO SPEED     |              |
| PRESSURE RATING (bar/psi)                   | 1ST STAGE     | 13.8 (197)   |
|   | 2ND STAGE     | 700 (10,000) |
| USABLE OIL CAPACITY (cc/in <sup>3</sup> )   | 350.0 (21.35) |              |
| OIL VOLUME PER STROKE (cc/in <sup>3</sup> ) | 1ST STAGE     | 3.62 (0.221) |
|   | 2ND STAGE     | 0.77 (0.046) |
| MAX HANDLE EFFORT (kg/lb)                   | 33 (72.75)    |              |
| PISTON STROKE (mm/in)                       | 18.0 (0.71)   |              |

### TOOL DESCRIPTION

The HP350SD hydraulic hand pump unit is tailored for use with Equalizer International hydraulic equipment. Its output is regulated to 700 bar (10,000 psi) and is delivered from an output port threaded 3/8" NPT. The pump can be used with any 700 bar (10,000 psi) rated Double acting hydraulic equipment. The diaphragm oil reservoir means that, unlike conventional hand pump units, the HP350SD is operable at all angles and is highly resistant to accidental spillage of hydraulic fluid. For further details please request an instruction manual.

### WEIGHTS AND DIMENSIONS

- Tool Only = 5 kg (11.02 lbs)
- GROSS KIT WEIGHT = 5.5 kg (12.13 lbs)
- Packaging Dimensions:  
182 x 206 x 460 mm  
(7.17" x 8.11" x 18.11")



# HP350SD

HYDRAULIC SINGLE PORT

SEALED HAND PUMP



"innovation in its most functional form"

## RANGE OF APPLICATION

All hydraulic equipment with an oil capacity of 350cc (23.13 in<sup>3</sup>) or less and an operating pressure of 10,000 psi (700 bar)

## PARTS LIST AND EXPLODED DRAWING

| ITEM | PART No.  | DESCRIPTION             | KIT QUANTITY | PUMP QUANTITY |
|------|-----------|-------------------------|--------------|---------------|
| 01   | 707001-01 | <b>PUMP HOUSING</b>     |              | 01            |
| 02   | 710601-01 | <b>RESERVOIR</b>        |              | 01            |
| 03   | 707071-01 | <b>ELBOW</b>            |              | 01            |
| 04   | 707052-01 | <b>TOP PLATE</b>        |              | 01            |
| 05   | 707048-01 | <b>CONTROL SWITCH</b>   |              | 01            |
| 06   | 707055-01 | <b>SWITCH BASE</b>      |              | 01            |
| 07   | 707056-01 | <b>HANDLE</b>           |              | 01            |
| 08   | 707057-01 | <b>HANDLE BALL</b>      |              | 01            |
|      | 715100-01 | <b>SERVICE KIT A:</b>   |              |               |
| 09   |           | - RESERVOIR BLADDER     | 01           | 01            |
| 10   |           | - OIL FILTER            | 01           | 01            |
| 11   |           | - O-RING                | 01           | 01            |
| 12   |           | - REFILLING PLUG        | 01           | 01            |
|      | 725200-01 | <b>SERVICE KIT B:</b>   |              |               |
| 13   |           | - SCREW                 | 04           | 04            |
| 14   |           | - TAIL BASE             | 01           | 01            |
| 15   |           | - SPRING WASHER         | 04           | 04            |
| 16   |           | - NUT                   | 04           | 04            |
|      | 715300-01 | <b>SERVICE KIT C:</b>   |              |               |
| 17   |           | - O-RING                | 01           | 01            |
| 18   |           | - BACK-UP RING          | 01           | 01            |
| 19   |           | - PUMP PISTON           | 01           | 01            |
| 20   |           | - SNAP RING             | 01           | 01            |
| 21   |           | - O-RING                | 01           | 01            |
| 22   |           | - BACK-UP RING          | 01           | 01            |
| 23   |           | - PUMP PISTON           | 01           | 01            |
|      | 715400-01 | <b>SERVICE KIT D:</b>   |              |               |
| 24   |           | - HANDLE                | 01           | 01            |
| 25   |           | - YOKE                  | 01           | 01            |
| 26   |           | - PISTON PIN            | 01           | 01            |
| 27   |           | - YOKE PIN              | 01           | 01            |
| 28   |           | - RETAINING RING        | 01           | 01            |
| 29   |           | - HANDLE GRIP           | 01           | 01            |
| 30   |           | - SCREW                 | 01           | 01            |
|      | 715500-01 | <b>SERVICE KIT E:</b>   |              |               |
| 31   |           | - YOKE BASE             | 01           | 01            |
| 32   |           | - SPRING PIN            | 01           | 01            |
|      | 715700-01 | <b>SERVICE KIT G:</b>   |              |               |
| 33   |           | - SPRING                | 02           | 02            |
| 34   |           | - STEEL BALL            | 02           | 02            |
| 35   |           | - OUTLET BALL SPRING    | 02           | 02            |
| 36   |           | - COPPER WASHER         | 02           | 02            |
| 37   |           | - VALVE COVER SCREW     | 02           | 02            |
| 38   |           | - STEEL BALL            | 02           | 02            |
|      | 715800-01 | <b>SERVICE KIT H:</b>   |              |               |
| 39   |           | - STEEL BALL            | 01           | 01            |
| 40   |           | - SPRING END CAP        | 01           | 01            |
| 41   |           | - L.P. SPRING           | 01           | 01            |
| 42   |           | - O-RING                | 02           | 02            |
| 43   |           | - OVERLOAD COVER SCREW  | 01           | 01            |
| 44   |           | - CAP                   | 02           | 02            |
| 45   |           | - OVERLOAD COVER SCREW  | 01           | 01            |
| 46   |           | - CONE SEAT             | 01           | 01            |
| 47   |           | - CONE                  | 01           | 01            |
| 48   |           | - LONG SEPARATOR SPRING | 01           | 01            |

| ITEM | PART No.  | DESCRIPTION            | KIT QUANTITY | PUMP QUANTITY |
|------|-----------|------------------------|--------------|---------------|
| 49   | 715900-01 | <b>SERVICE KIT I:</b>  |              |               |
| 50   |           | - BASE PLATE           | 01           | 01            |
| 50   |           | - SCREW                | 02           | 02            |
|      | 716100-01 | <b>SERVICE KIT K:</b>  |              |               |
| 51   |           | - SCREW                | 04           | 06            |
| 52   |           | - CHECK BALL           | 04           | 06            |
| 59   |           | - SCREW                | 01           | 01            |
| 30   |           | - SCREW                | 01           | 01            |
|      | 716200-01 | <b>SERVICE KIT L:</b>  |              |               |
| 53   |           | - GAUGE COUPLER MALE   | 01           | 02            |
| 54   |           | - GAUGE                | 01           | 01            |
|      | 716300-01 | <b>SERVICE KIT M:</b>  |              |               |
| 55   |           | - GAUGE COUPLER FEMALE | 01           | 01            |
| 56   |           | - COUPLER              | 01           | 01            |
| --   |           | - PORT GAUGE ADAPTOR   | 01           | 00            |
|      | 707100-01 | <b>SERVICE KIT Q:</b>  |              |               |
| 57   |           | - SPRING               | 02           | 02            |
| 58   |           | - SPRING               | 03           | 03            |
| 59   |           | - SCREW                | 05           | 05            |
| 38   |           | - STEEL BALL           | 05           | 05            |
|      | 707200-01 | <b>SERVICE KIT R:</b>  |              |               |
| 60   |           | - O-RING               | 05           | 05            |
| 61   |           | - O-RING END CAP       | 05           | 05            |
| 62   |           | - PIN                  | 03           | 03            |
| 63   |           | - BALL SEAT            | 02           | 02            |
| 64   |           | - SPRING               | 01           | 01            |
| 65   |           | - PIN                  | 02           | 02            |
| 66   |           | - BALL SEAT            | 02           | 02            |
| 67   |           | - STEEL BALL           | 02           | 02            |
| 52   |           | - CHECK BALL           | 04           | 04            |

| ITEM | PART No.  | DESCRIPTION           | KIT QUANTITY | PUMP QUANTITY |
|------|-----------|-----------------------|--------------|---------------|
|      | 707300-01 | <b>SERVICE KIT S:</b> |              |               |
| 68   |           | - O-RING              | 01           | 01            |
| 69   |           | - BEARING             | 01           | 01            |
| 70   |           | - O-RING              | 01           | 01            |
| 71   |           | - SPRING PIN          | 02           | 02            |
| 72   |           | - SCREW               | 04           | 04            |
| 73   |           | - O-RING              | 01           | 01            |
| 74   |           | - WASHER              | 01           | 01            |
| 75   |           | - SCREW               | 01           | 01            |

